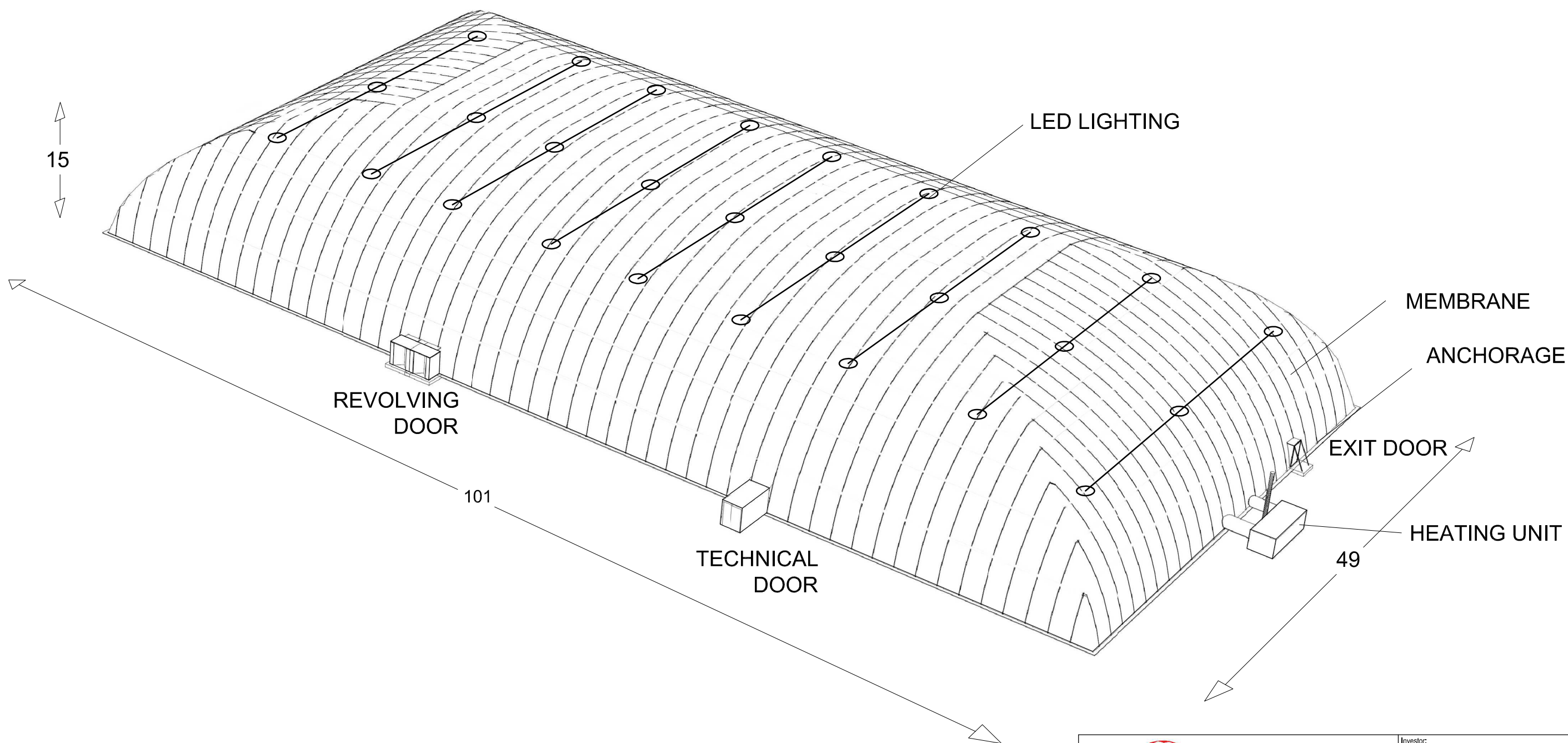



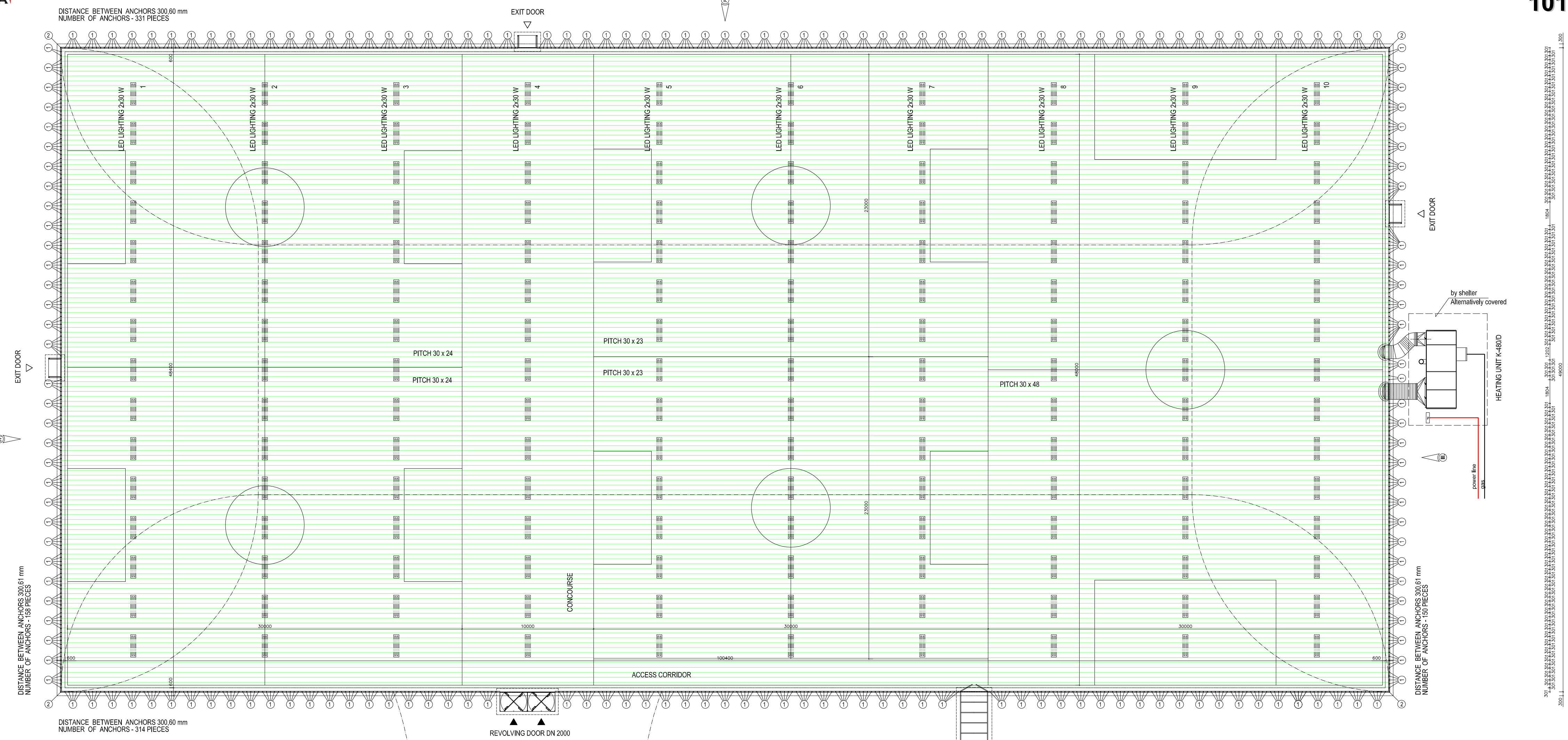
		POLY.SLOVAKIA s.r.o. Rudbovská cesta 6550/53 97401 Baracka Bystrica IČO: 3693266	GSM: 00421 907 902 806 Tel/Fax: 00421 48 413 98 19 Web: www.poly.slovakia.sk Email: marko@poly.slovakia.sk IČ DPH: SK221979642	Investor:
Date of issue:	04 / 2017			
Designer:	Dipl. Ing. Jozef Majer			Scale: 1:500
Drawing:				Phase: Conceptual design
Air dome 101,00 x 49,00 x 15,00 - double membrane			Drawing No:	001
Site plan			Project No:	
This drawing is a property of POLY SLOVAKIA s.r.o., and any reproduction is forbidden according to the law				

# AIR DOME 101,00 x 49,00 x 15,00 - double membrane

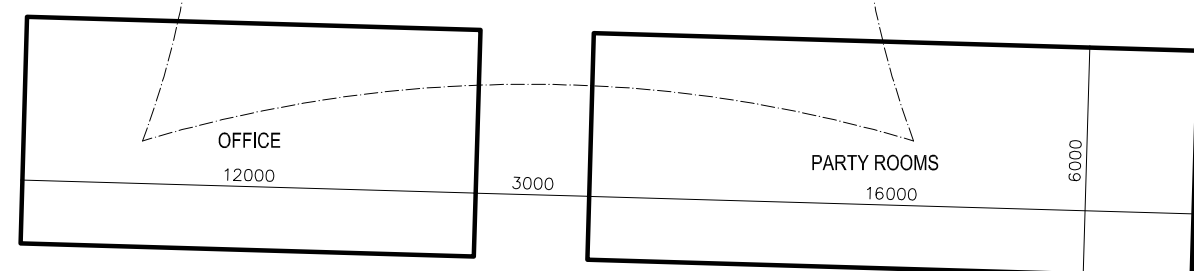


		POLY-SLOVAKIA s.r.o. Rudlovska cesta 6550/53 97401 Banská Bystrica IČO: 36636286	GSM: 00421 903 502 806 Tel./Fax: 00421 48 413 56 19 Web: www.poly.slovakia.sk E-mail: marek@poly.slovakia.sk IČ DPH: SK202197949	Investor:
Date of issue:	04 / 2017			
Designer:	Dipl. Ing. Jozef Majer	Scale:		
Drawing:	Air dome 101,00 x 49,00 x 15,00 - double membrane Perspective scheme	Phase: Conceptual design		
		Drawing No: 002		
		Project No:		
<small>This drawing is a property of POLY SLOVAKIA s.r.o. and any reproduction is forbidden according to the law</small>				

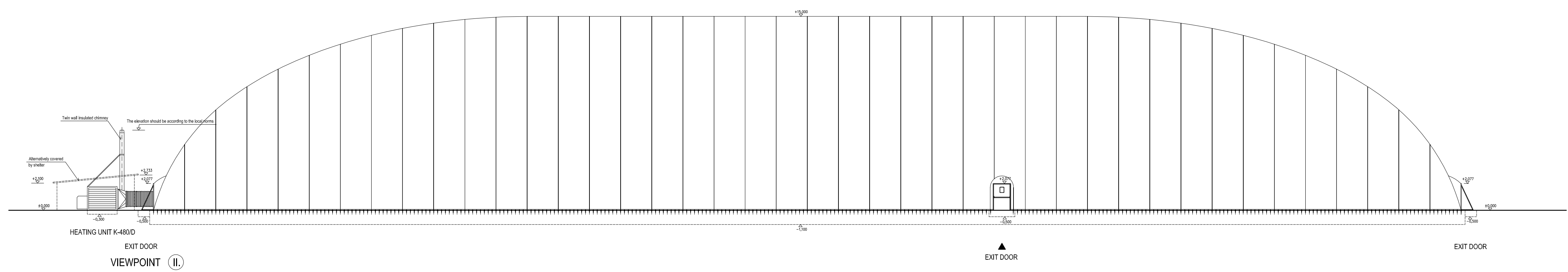
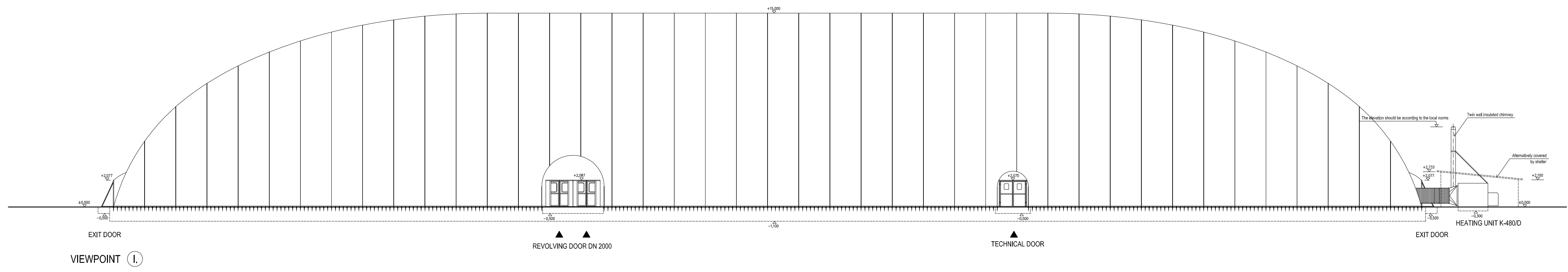
DISTANCE BETWEEN ANCHORS 300,61 mm  
NUMBER OF ANCHORS - 158 PIECES



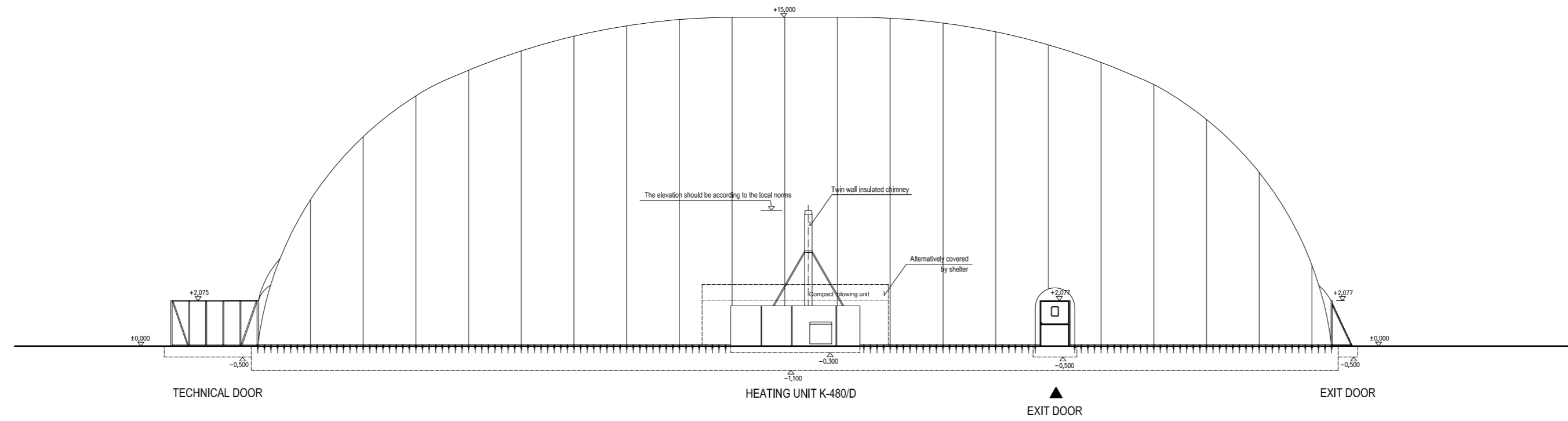
- ① ANCHOR
- ② CORNER ANCHOR
- ARTIFICIAL TURF LIGATURF ULTIMATE
- + ELASTIC LAYER 25 mm: 4949 m2



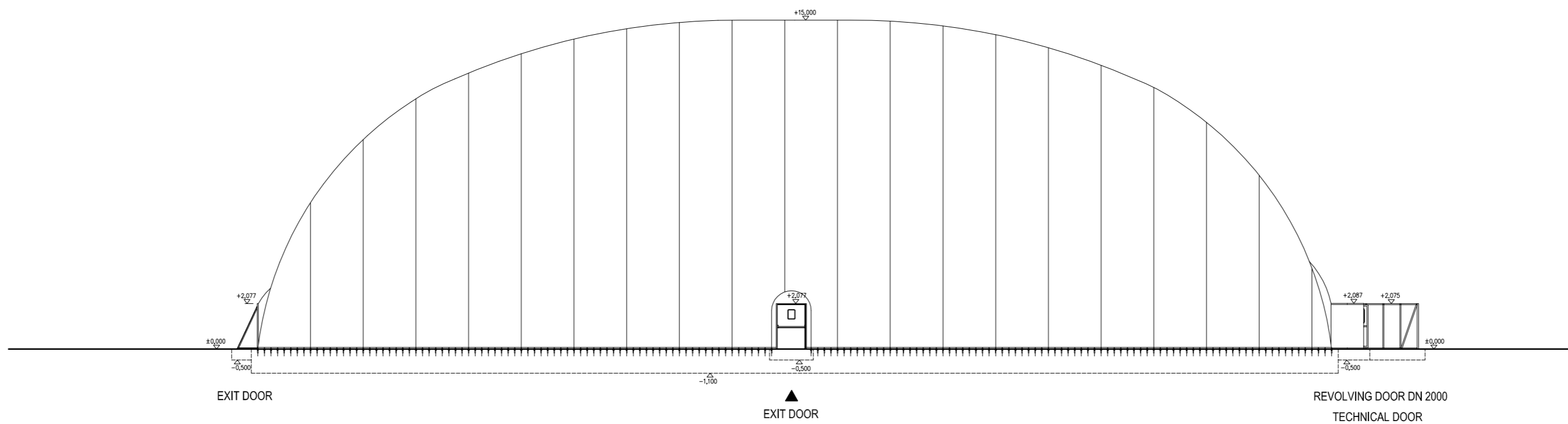
<b>POLY SLOVAKIA</b>		POLY SLOVAKIA s.r.o. Rudňovská cesta 6550/53 01401 Bardejov Bystrica CO: 5552020		IČO: 45421833 IČ DPH: 2042748413 TEL: +421 53 413 50 19 MAIL: info@poly Slovakia.sk EMAIL: rena@poly Slovakia.sk SK: 021-532217564		Investor:	
Date of issue:	04 / 2017	Scale:	1:200				
Designer:	Dipl. Ing. Jozef Majer	Phase:	Conceptual design				
Drawing:		Drawing No.:	003				
Air dome 101,00 x 49,00 x 15,00 - double membrane		Plan view					
This drawing is a property of POLY SLOVAKIA s.r.o. and any reproduction is forbidden according to the law							




		POLY SLOVAKIA s.r.o. Ruzbavská cesta 6550/3 01401 Bardejov Bystrica CO: 505200	IČO: 0401 933 006 Tel./Fax: 0547 42 413 30/19 Email: info@poly.slovakia.sk E-mail: mana@poly.slovakia.sk IČ: 0191-040101004	Investor:
Date of issue:	04 / 2017	Scale:		1:200
Designer:	Dipl. Ing. Jozef Majer	Phase:		Conceptual design
Drawing:			Drawing No:	004
Air dome 101,00 x 49,00 x 15,00 - double membrane			Project No:	
Front view, Back view				
<small>This drawing is a property of POLY SLOVAKIA s.r.o. and any reproduction is forbidden according to the law</small>				



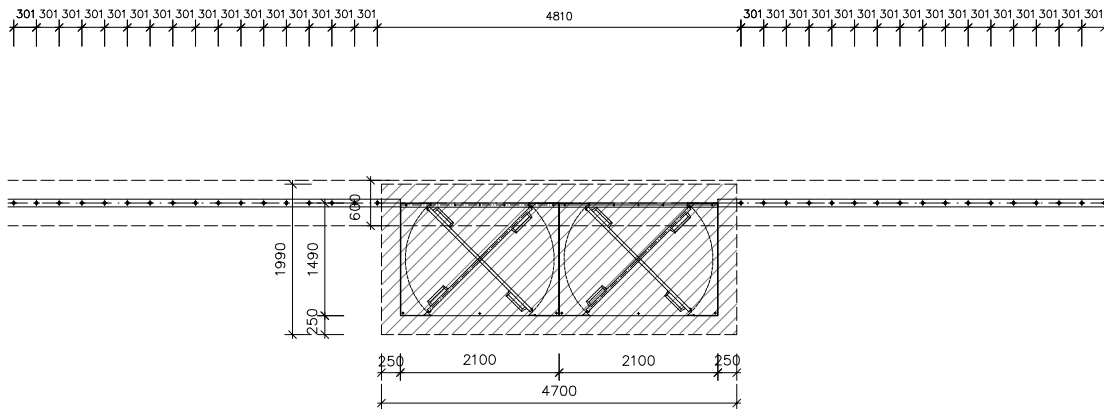
VIEWPOINT III



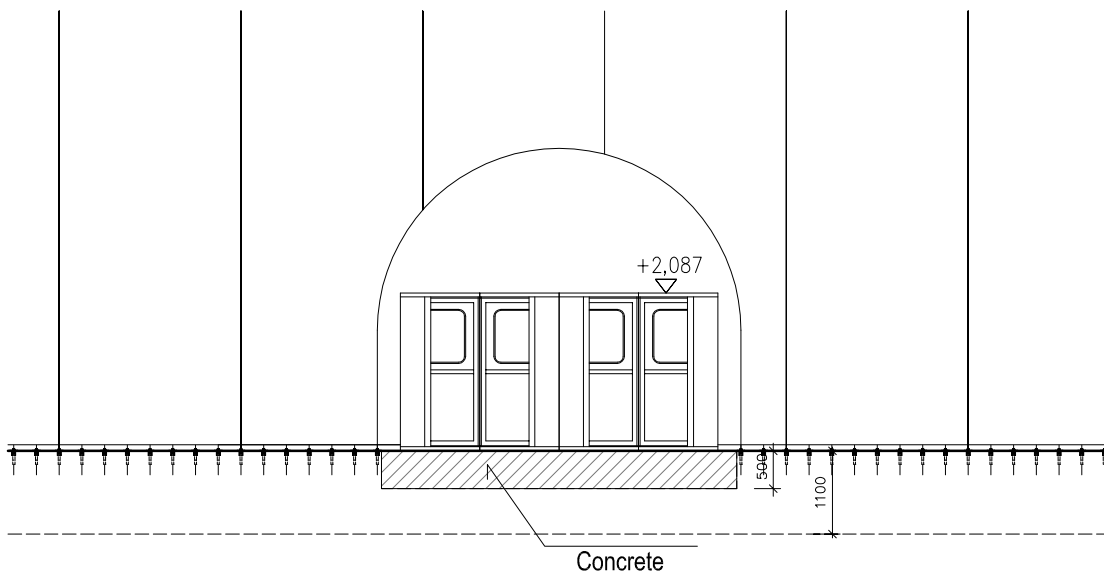
VIEWPOINT IV

		POLY-SLOVAKIA s.r.o. Rudbovská cesta 6550/53 97401 Barska Bystrica IČO: 3693266	GSM: 00421 903 902 806 Tel/Fax: 00421 48 413 98 19 1988 www.poly.sk E-mail: info@poly.sk IČ DPH: SK212197942	Investor:
Date of issue:	04 / 2017			
Designer:	Dipl. Ing. Jozef Majer			Scale: 1:200
Drawing:	Air dome 101,00 x 49,00 x 15,00 - double membrane Left view, Right view			Phase: Conceptual design
				Drawing No: 005
				Project No:
<small>This drawing is a property of POLY SLOVAKIA s.r.o., and any reproduction is forbidden according to the law</small>				


# AIR DOME 101,00 x 49,00 x 15,00 - double membrane



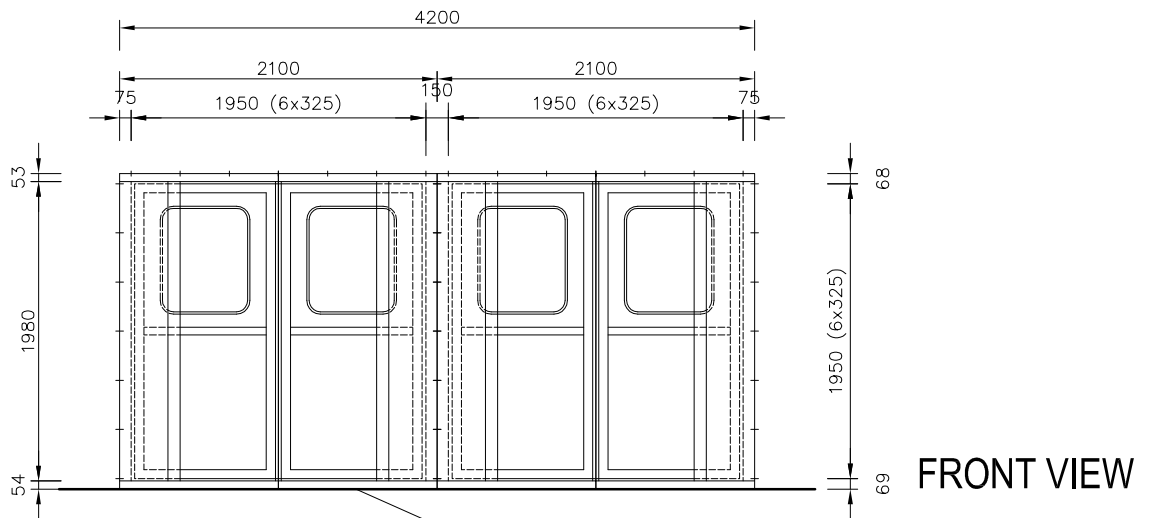
PLAN VIEW



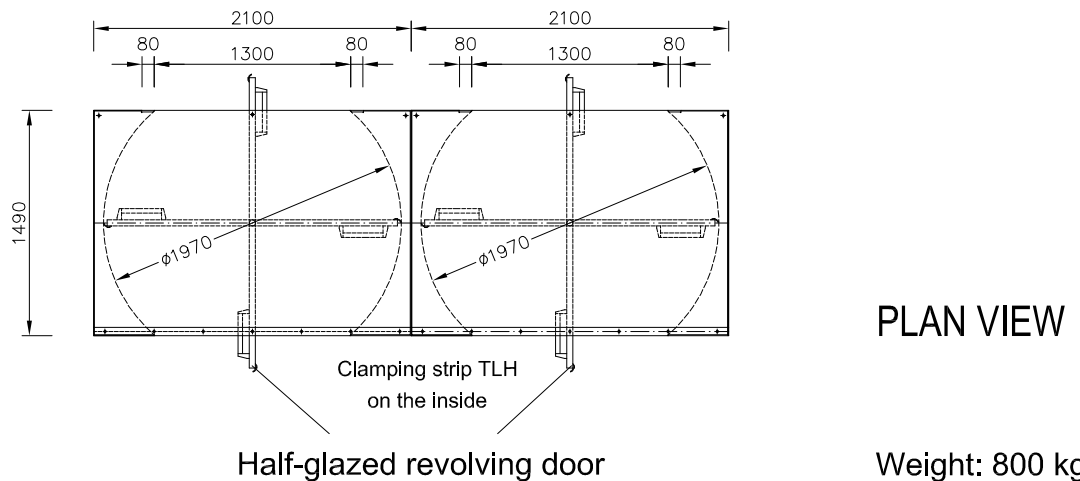
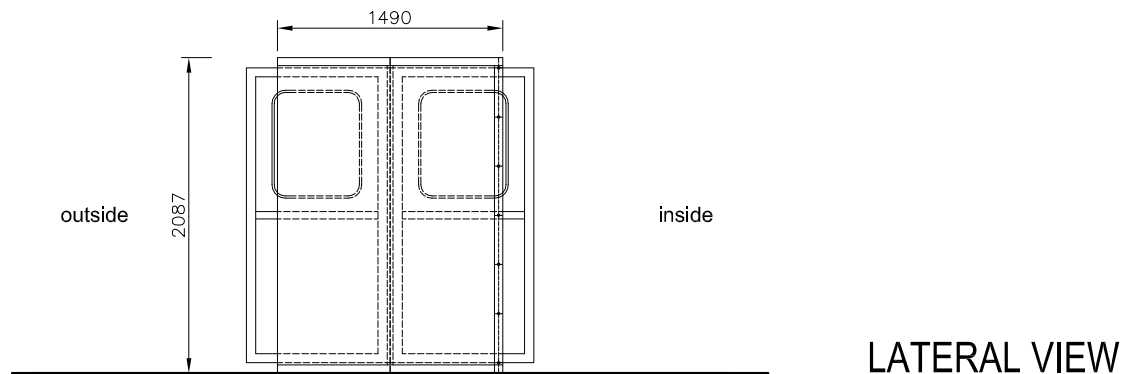
LATERAL VIEW

		POLY-SLOVAKIA s.r.o. Rudlovska cesta 6350/53 97401 Banská Bystrica IČO: 36636266	GSM: 00421 903 502 806 Tel./Fax.: 00421 48 413 56 19 Web: www.naf.kovadetal.sk E-mail: marek@naf.kovadetal.sk IČ DPH: SK2021979949	Investor:
Date of issue:	04 / 2017			
Designer:	Dipl. Ing. Jozef Majer	Scale:	1:100	
Drawing:	Air dome 101,00 x 49,00 x 15,00 - double membrane Concrete base for revolving door	Phase:	Conceptual design	
		Drawing No:	006	
		Project No:		
This drawing is a property of POLY SLOVAKIA s.r.o. and any reproduction is forbidden according to the law				


# AIR DOME 101,00 x 49,00 x 15,00 - double membrane



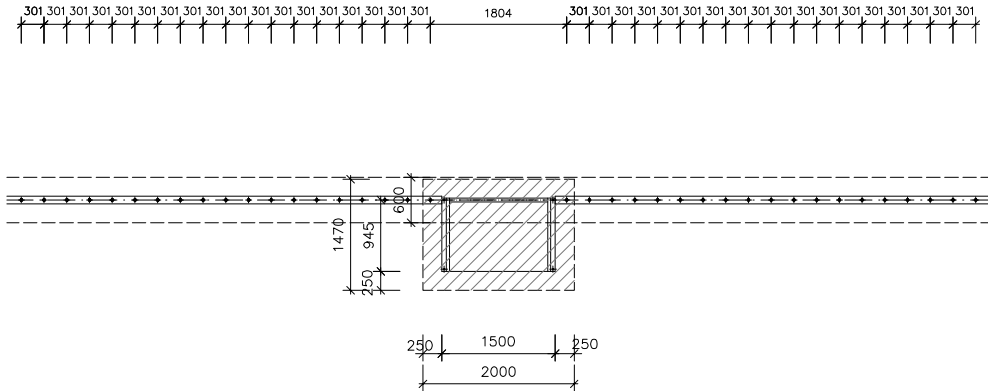
The floor plate with its entire ground surface can rest on the set-up surface



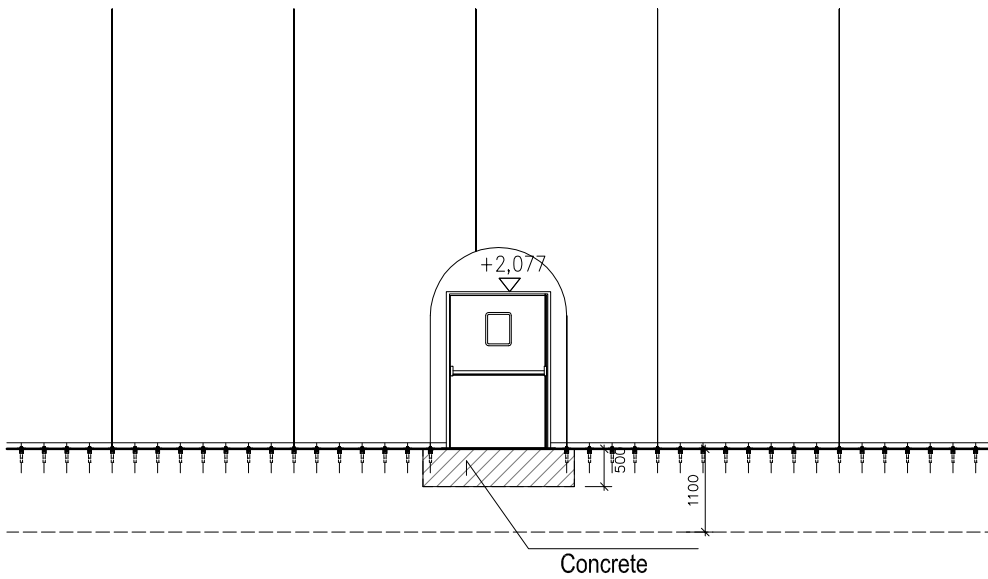
Weight: 800 kg

		POLY-SLOVAKIA s.r.o. Rudlovska cesta 6350/53 97401 Banská Bystrica IČO: 36636266	GSN: 00421 903 502 806 Tel./Fax.: 00421 48 413 56 19 Web: www.naf.kovaditelny.sk E-mail: marek@naf.kovaditelny.sk IČ DPH: SK2021979949	Investor:
Date of issue:	04 / 2017			
Designer:	Dipl. Ing. Jozef Majer	Scale:	1:50	
Drawing:	Air dome 101,00 x 49,00 x 15,00 - double membrane Detail of revolving door	Phase:	Conceptual design	
		Drawing No:	007	
		Project No:		
This drawing is a property of POLY SLOVAKIA s.r.o. and any reproduction is forbidden according to the law				


# AIR DOME 101,00 x 49,00 x 15,00 - double membrane



PLAN VIEW

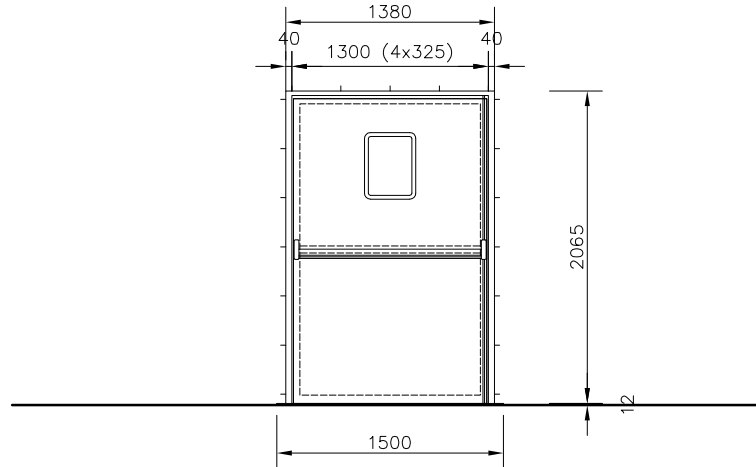


LATERAL VIEW

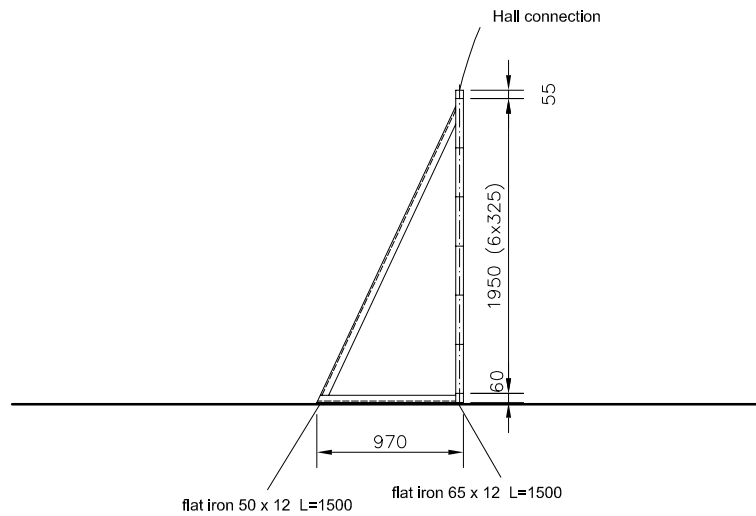
		POLY-SLOVAKIA s.r.o. Rudlovská cesta 6550/53 97401 Banská Bystrica IČO: 36636266	GSM: 00421 903 502 806 Tel./Fax.: 00421 48 413 56 19 Web: www.naf.kovadefaly.sk E-mail: marek@naf.kovadefaly.sk IČ DPH: SK2021979949	Investor:
Date of issue:	04 / 2017			
Designer:	Dipl. Ing. Jozef Majer	Scale:	1:100	
Drawing:	Air dome 101,00 x 49,00 x 15,00 - double membrane Concrete base for exit door	Phase:	Conceptual design	
		Drawing No:	008	
		Project No:		
This drawing is a property of POLY SLOVAKIA s.r.o. and any reproduction is forbidden according to the law				




# AIR DOME 101,00 x 49,00 x 15,00 - double membrane



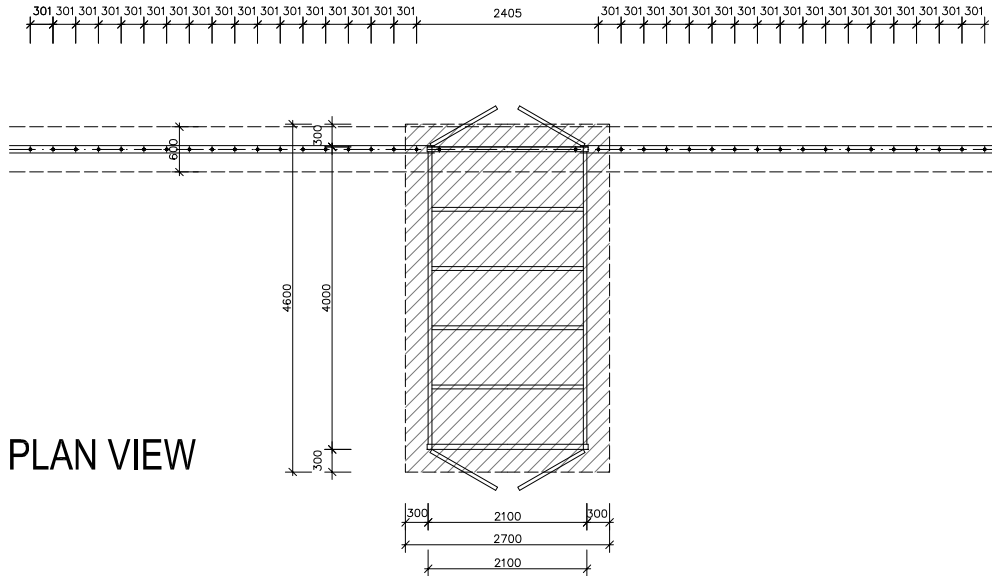
FRONT VIEW



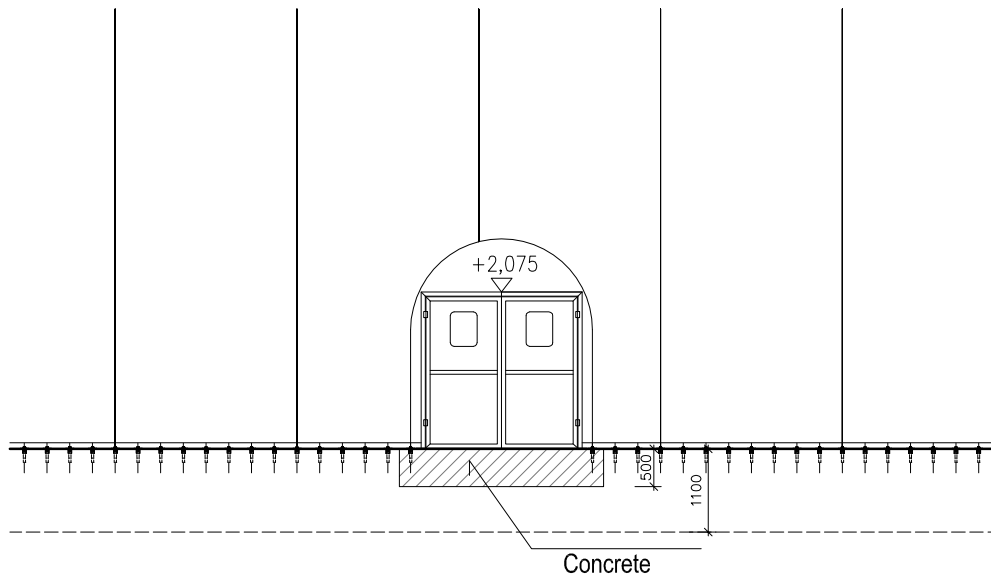
LATERAL VIEW

		POLY-SLOVAKIA s.r.o. Rudlovska cesta 6550/53 97401 Banská Bystrica IČO: 36636266	GSN: 00421 903 502 806 Tel./Fax.: 00421 48 413 56 19 Web: www.naf.kovaditelny.sk E-mail: marek@naf.kovaditelny.sk IČ DPH: SK2021979949	Investor:
Date of issue:	04 / 2017			
Designer:	Dipl. Ing. Jozef Majer	Scale:	1:50	
Drawing:	Air dome 101,00 x 49,00 x 15,00 - double membrane Detail of exit door	Phase:	Conceptual design	
		Drawing No:	009	
		Project No:		
This drawing is a property of POLY SLOVAKIA s.r.o. and any reproduction is forbidden according to the law				


# AIR DOME 101,00 x 49,00 x 15,00 - double membrane



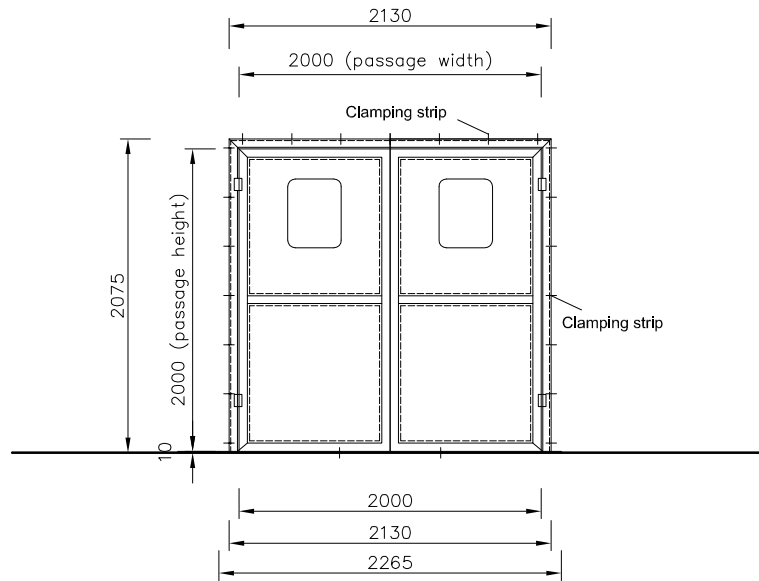
PLAN VIEW



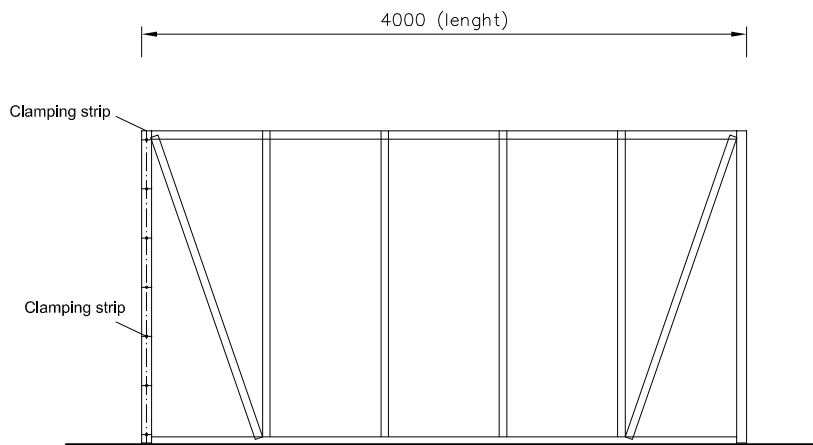
LATERAL VIEW

		POLY-SLOVAKIA s.r.o. Rudlovska cesta 6550/53 97401 Banská Bystrica IČO: 36636266	GSM: 00421 903 502 806 Tel./Fax.: 00421 48 413 56 19 Web: www.naf.kovadefaly.sk E-mail: marek@naf.kovadefaly.sk IČ DPH: SK2021979949	Investor:
Date of issue:	04 / 2017			
Designer:	Dipl. Ing. Jozef Majer	Scale:	1:100	
Drawing:	Air dome 101,00 x 49,00 x 15,00 - double membrane Concrete base for technical door	Phase:	Conceptual design	
		Drawing No:	010	
		Project No:		
This drawing is a property of POLY SLOVAKIA s.r.o. and any reproduction is forbidden according to the law				

# AIR DOME 101,00 x 49,00 x 15,00 - double membrane




FRONT VIEW

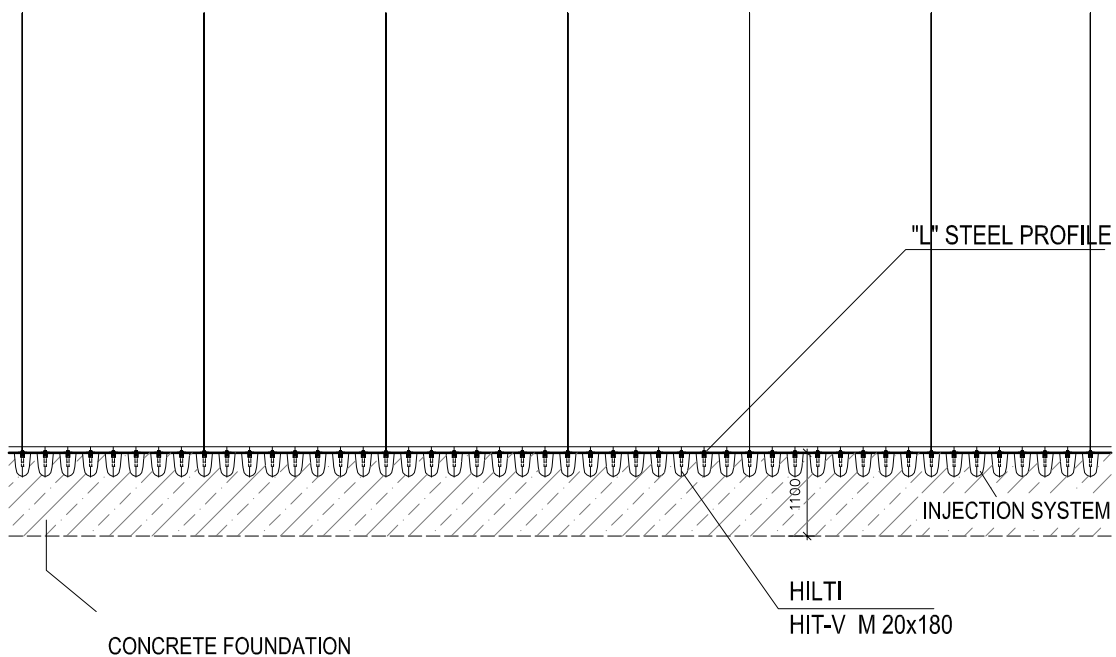


LATERAL VIEW


material lock complete with sheet metal cladding

		POLY-SLOVAKIA s.r.o. Rudlovska cesta 6350/53 97401 Banská Bystrica IČO: 36636266	GSM: 00421 903 502 806 Tel./Fax.: 00421 48 413 56 19 Web: www.naf.kovaditelny.sk E-mail: marek@naf.kovaditelny.sk IČ DPH: SK2021979949	Investor:
Date of issue:	04 / 2017			
Designer:	Dipl. Ing. Jozef Majer	Scale:	1:50	
Drawing:	Air dome 101,00 x 49,00 x 15,00 - double membrane Detail of technical door	Phase:	Conceptual design	
		Drawing No:	011	
		Project No:		
This drawing is a property of POLY SLOVAKIA s.r.o. and any reproduction is forbidden according to the law				

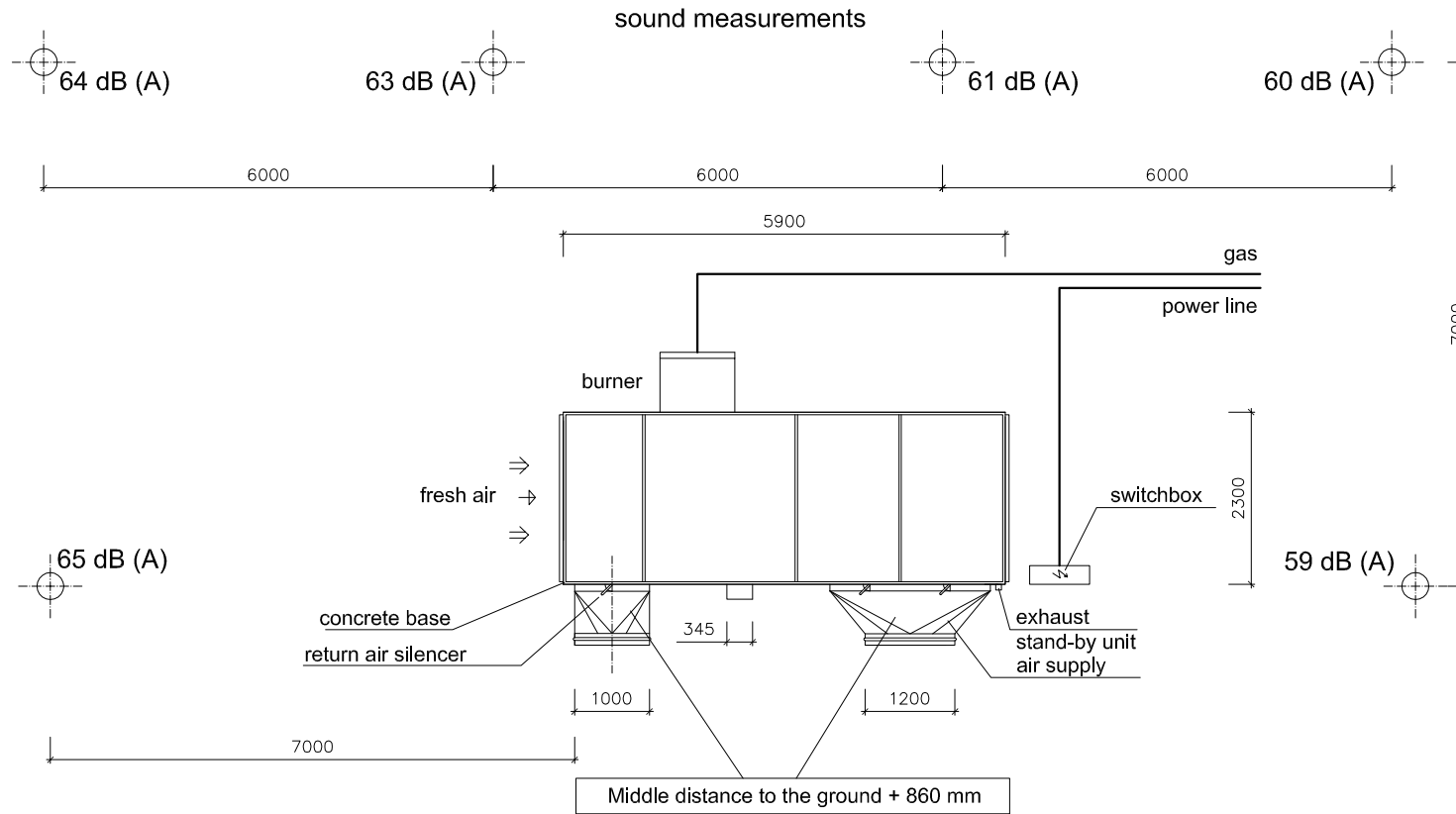
EUROPEAN TECHNICAL APPROVAL  
ETA 11/0493




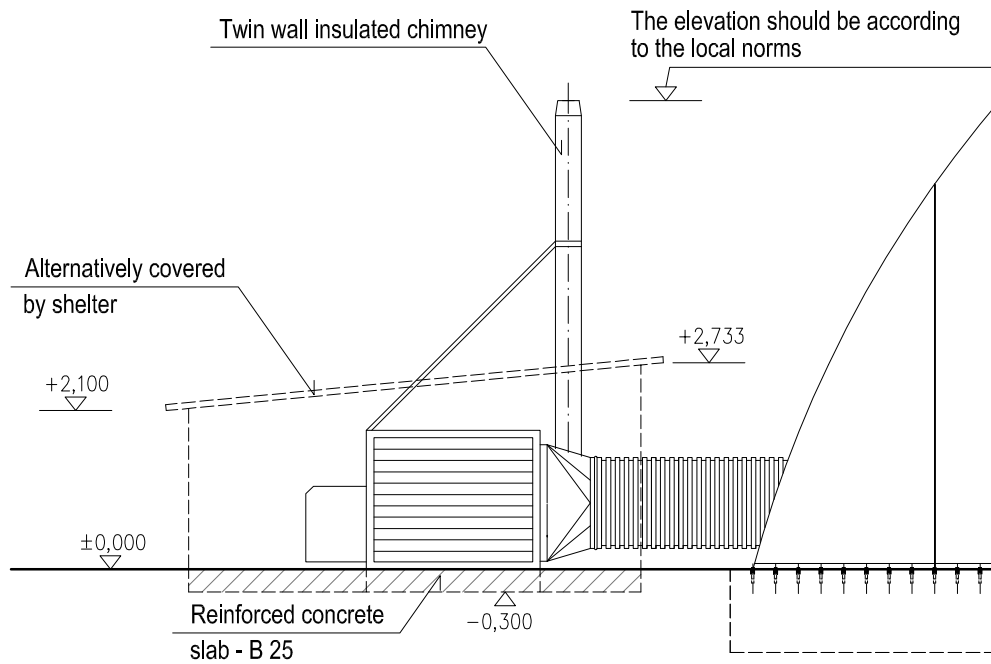
**ANCHORS INTO CONCRETE FOUNDATION**

		POLY-SLOVAKIA s.r.o. Rudlovska cesta 6350/53 97401 Banská Bystrica IČO: 36636266	GSM: 00421 903 502 806 Tel./Fax.: 00421 48 413 56 19 Web: www.nafukovaciehaly.sk E-mail: marek@nafukovaciehaly.sk IČ DPH: SK2021979949	Investor:
Date of issue:	04 / 2017			
Designer:	Dipl. Ing. Jozef Majer	Scale:	1:100	
Drawing:	Air dome 101,00 x 49,00 x 15,00 - double membrane Anchors	Phase:	Conceptual design	
		Drawing No:	012	
		Project No:		
This drawing is a property of POLY SLOVAKIA s.r.o. and any reproduction is forbidden according to the law				


# AIR DOME 101,00 x 49,00 x 15,00 - double membrane

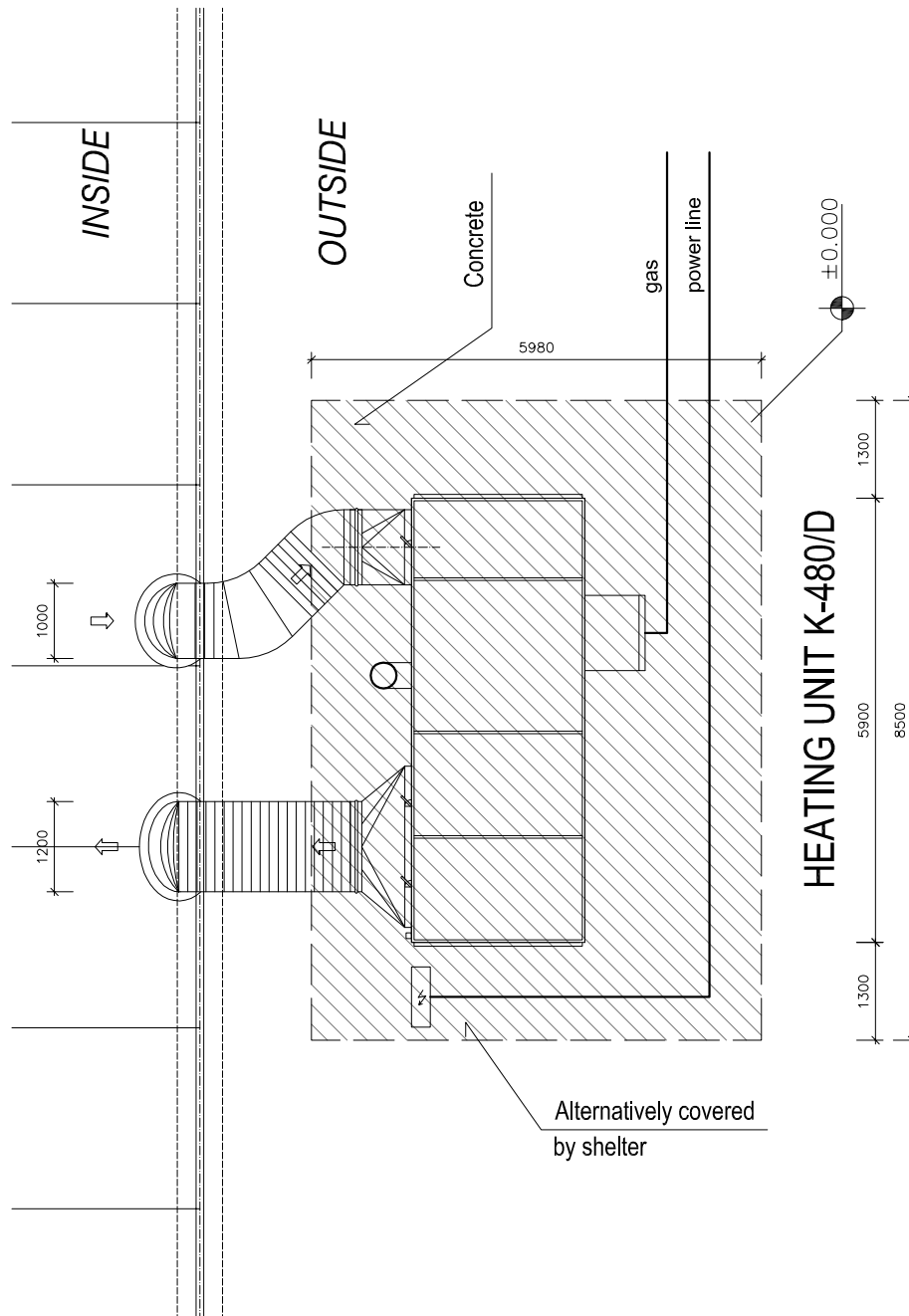



		POLY-SLOVAKIA s.r.o. Rudlovska cesta 6550/53 97401 Baniska Bystica IČO: 36636266	GSM: 00421 903 502 806 Tel/Fax: 00421 48 413 56 19 Web: www.nafukovaciehaly.sk E-mail: marek@nafukovaciehaly.sk IČ DPH: SK2021979949	Investor:
Date of issue:	04 / 2017			
Designer:	Dipl. Ing. Jozef Majer	Scale:	1:100	
Drawing:	Air dome 101,00 x 49,00 x 15,00 - double membrane Detail of heating unit K 480-D	Phase:	Conceptual design	
		Drawing No:	013	
		Project No:		
This drawing is a property of POLY SLOVAKIA s.r.o. and any reproduction is forbidden according to the law				



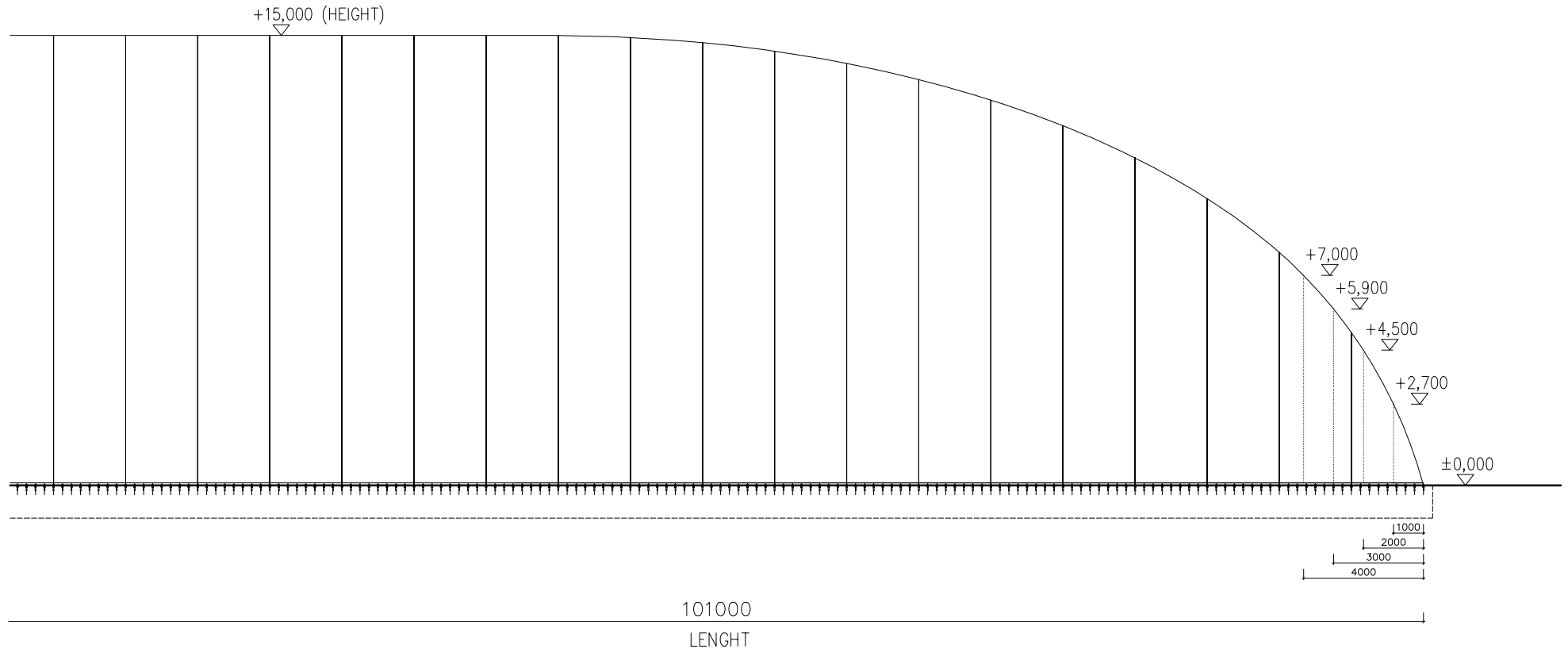
**HEATING UNIT K-480/D**

		POLY-SLOVAKIA s.r.o. Rudlovska cesta 6350/53 97401 Banská Bystrica IČO: 36636266	GSM: 00421 903 502 806 Tel./Fax.: 00421 48 413 56 19 Web: www.nafukovaciehaly.sk E-mail: marek@nafukovaciehaly.sk IČ DPH: SK2021979949	Investor:
Date of issue:	04 / 2017			
Designer:	Dipl. Ing. Jozef Majer	Scale:	1:100	
Drawing:	Air dome 101,00 x 49,00 x 15,00 - double membrane Detail of heating unit K 480-D, Side view	Phase:	Conceptual design	
		Drawing No:	014	
		Project No:		
This drawing is a property of POLY SLOVAKIA s.r.o. and any reproduction is forbidden according to the law				




		POLY-SLOVAKIA s.r.o. Rudlovska cesta 6350/53 97401 Banská Bystrica IČO: 36636266	GSK: 00421 903 502 806 Tel./Fax.: 00421 48 413 56 19 Web: www.nafukovaciehaly.sk E-mail: marek@nafukovaciehaly.sk IČ DPH: SK2021979949	Investor:
Date of issue:	04 / 2017			
Designer:	Dipl. Ing. Jozef Majer	Scale:	1:100	
Drawing:	Air dome 101,00 x 49,00 x 15,00 - double membrane Detail of heating unit K 480-D, Plan view	Phase:	Conceptual design	
		Drawing No:	015	
		Project No:		
This drawing is a property of POLY SLOVAKIA s.r.o. and any reproduction is forbidden according to the law				

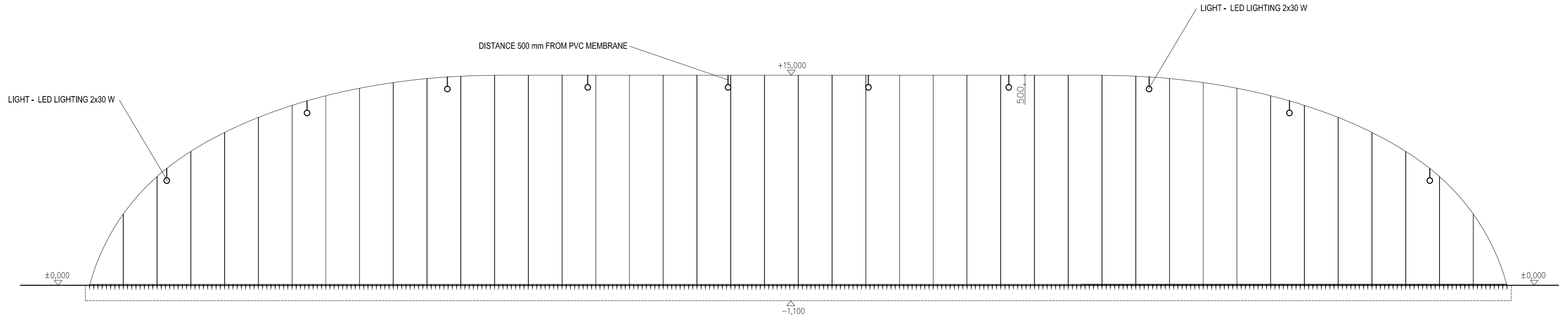
# AIR DOME 101,00 x 49,00 x 15,00 - double membrane



RADIUS OF HALL

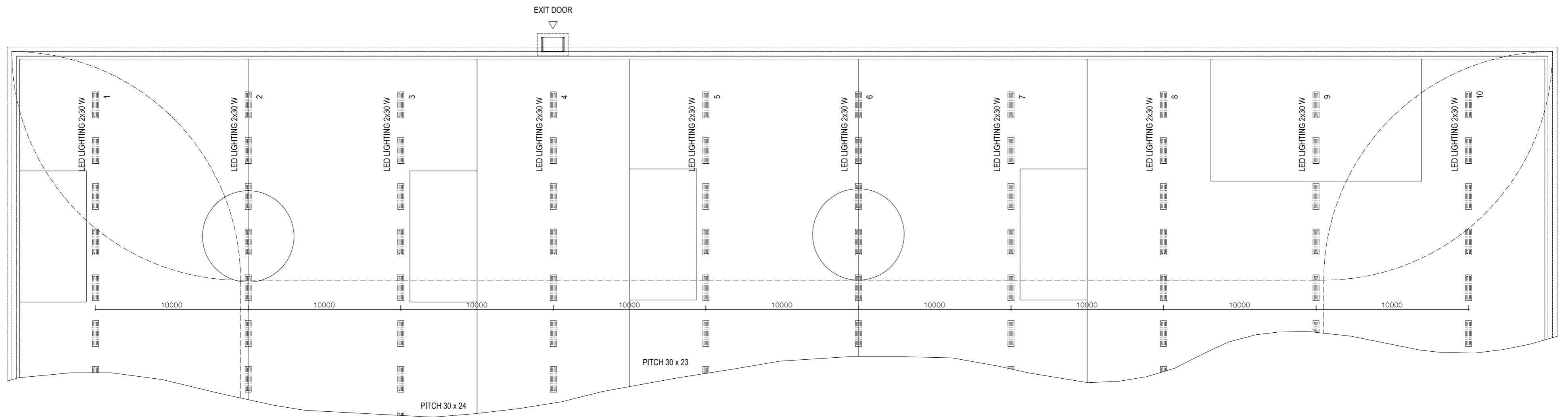
		POLY-SLOVAKIA s.r.o. Rudlovska cesta 6550/53 97401 Banska Bystrica IČO: 36636286	GSM: 00421 903 502 806 Tel/Fax: 00421 48 413 86 19 Web: www.nafukovaciehaly.sk E-mail: marek@nafukovaciehaly.sk IČ DPH: SK2021979949	Investor:
Date of issue:	04 / 2017			
Designer:	Dipl. Ing. Jozef Majer	Scale:	1:200	
Drawing:	<b>Air dome 101,00 x 49,00 x 15,00 - double membrane</b> <b>Radius of Hall</b>	Phase:	Conceptual design	
		Drawing No:	016	
		Project No:		
<small>This drawing is a property of POLY SLOVAKIA s.r.o. and any reproduction is forbidden according to the law</small>				





VIEW

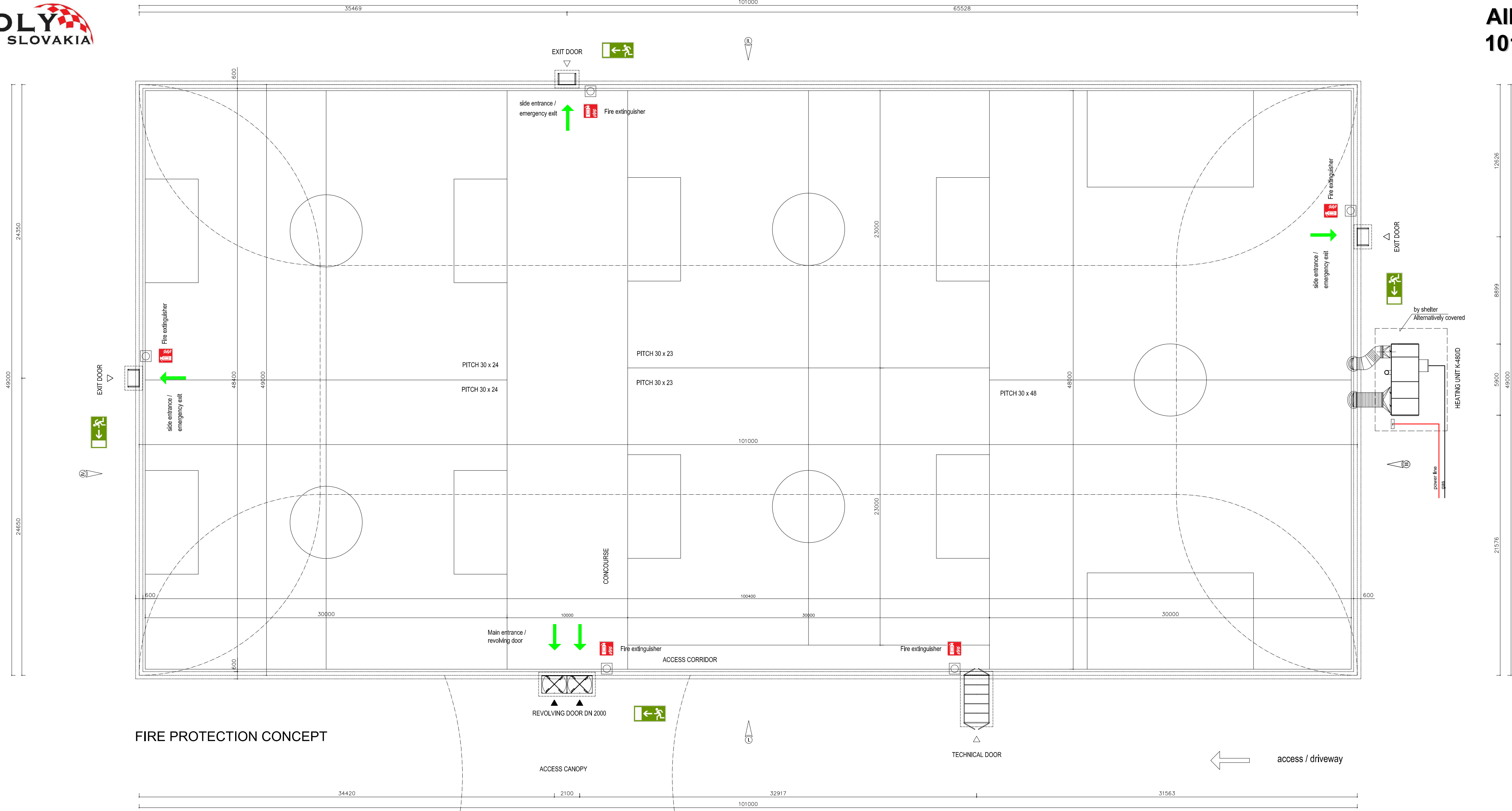
ON THE MAIN PVC MEMBRANE ARE WELDED THE HANDLES ACCORDING STANDARD



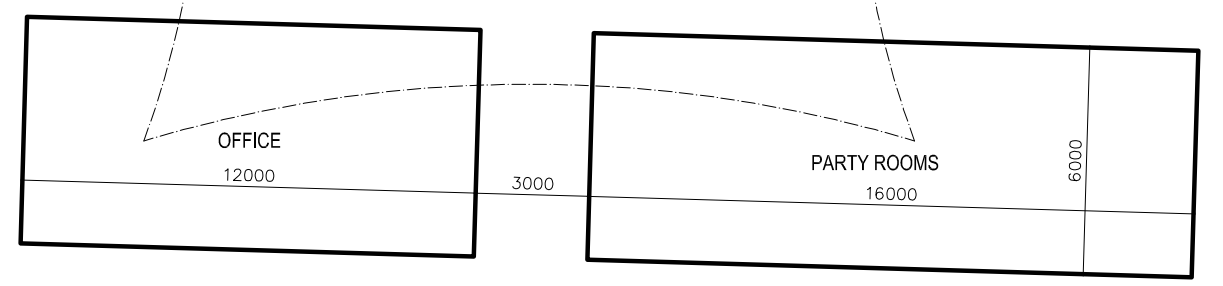
PLAN VIEW

LIGHTING

		POLY.SLOVAKIA s.r.o. Rudbovská cesta 6550/53 97401 Baroká Bystica IČO: 3693266	GSM: 09421 929 808 Tel/Fax: 01421 48 413 98 19 1988 www.poly.sk E-mail: marko@poly.sk IČ DPH: SK212197942	Investor:
Date of issue:	04 / 2017			
Designer:	Dipl. Ing. Jozef Majer			Scale: 1:200
Drawing:	Air dome 101,00 x 49,00 x 15,00 - double membrane Lighting			Phase: Conceptual design
				Drawing No: 017
				Project No:
This drawing is a property of POLY SLOVAKIA s.r.o., and any reproduction is forbidden according to the law				

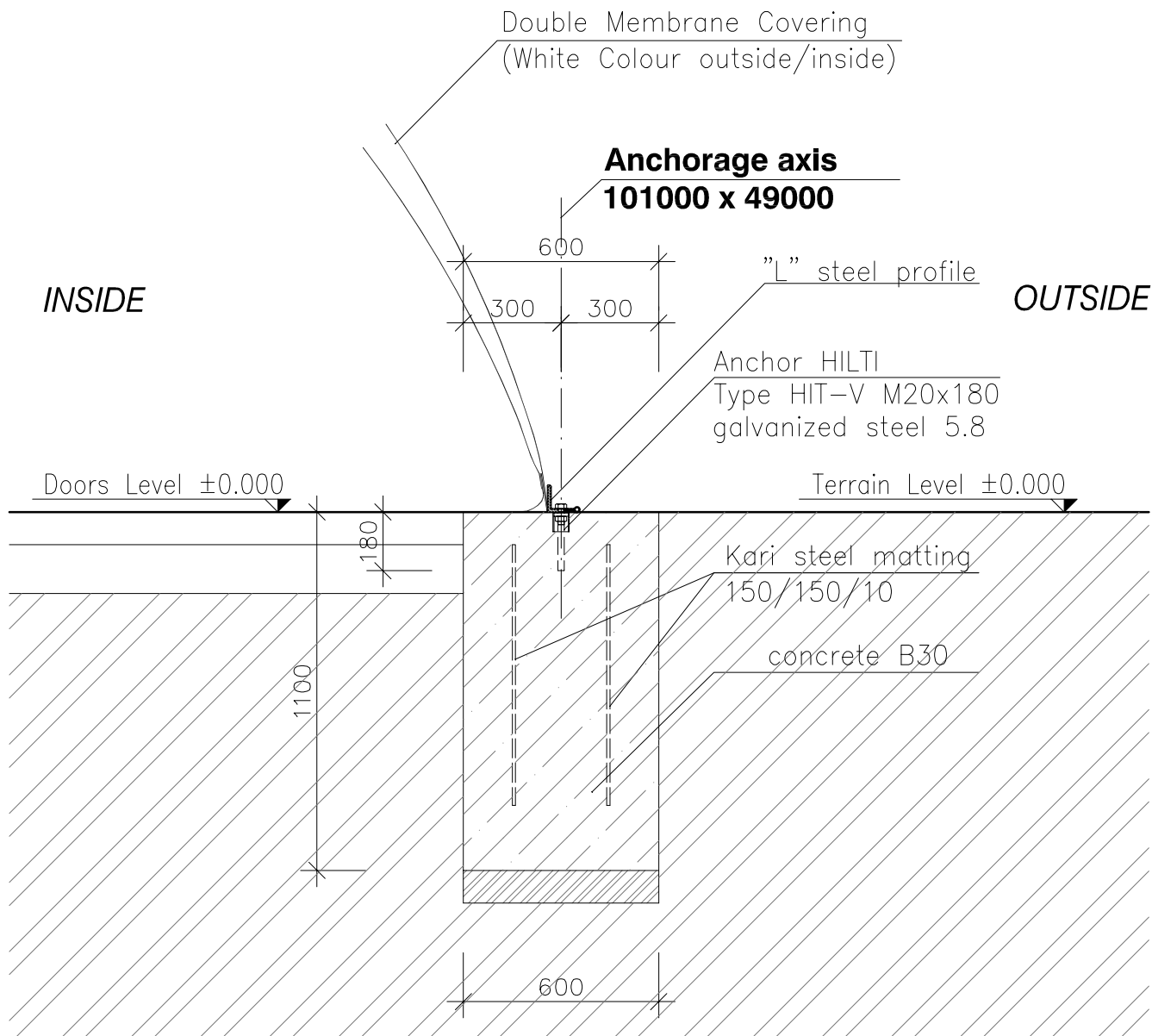


**FIRE PROTECTION CONCEPT**




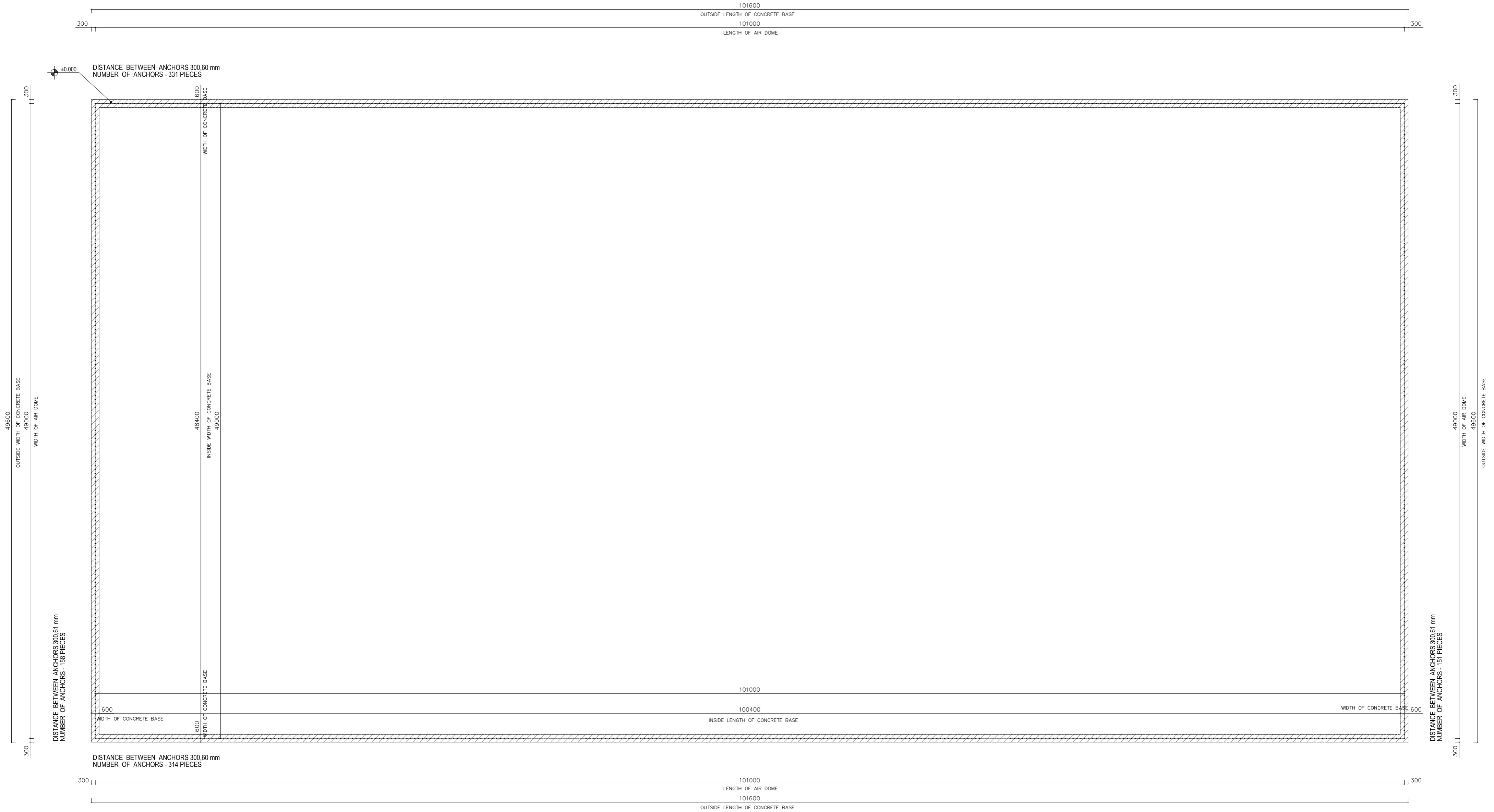
		POLY SLOVAKIA s.r.o. Ružovská cesta 6550/53 81407 Bratislava Bystrica IČO: 363426	IŠS: 0041 93 92 896 T: +421 2547 42 43 50 19 F: +421 2547 42 43 50 19 E: info@poly.slovakia.sk E: zpravy@poly.slovakia.sk	Investor:
Date of issue:	04 / 2017			
Designer:	Dipl. Ing. Jozef Majer	Scale:	1:200	
Drawing:		Phase:	Conceptual design	
		Drawing No:	018	
		Project No:		
This drawing is a property of POLY SLOVAKIA s.r.o. and any reproduction is forbidden according to the law				


# AIR DOME 101,00 x 49,00 x 15,00 - double membrane



**CROSS-SECTION OF TYPICAL ANCHORAGE AND FOUNDATION  
(CUSTOMER CARE)  
SCALE 1:20**

		POLY-SLOVAKIA s.r.o. Rudlovska cesta 6550/53 97401 Banská Bystrica IČO: 36636266	GSM: 00421 933 522 806 Tel./Fax.: 00421 48 413 56 19 Web: www.naf.kovadefaly.sk E-mail: marek@naf.kovadefaly.sk IČ DPH: SK202197948	Investor:
Date of issue:	04 / 2017			
Designer:	Dipl. Ing. Jozef Majer	Scale:	1:20	
Drawing:	Air dome 101,00 x 49,00 x 15,00 - double membrane Cross-section of typical anchorage and foundation	Phase:	Conceptual design	
		Drawing No:	019	
		Project No:		
This drawing is a property of POLY SLOVAKIA s.r.o. and any reproduction is forbidden according to the law				



		POLY.SLOVAKIA s.r.o. Rudbovská cesta 6550/53 97401 Barská Bystrica IČO: 3693266	GSM: 00421 903 903 806 Tel/Fax: 00421 48 413 98 19 Web: www.poly.slovakia.sk E-mail: info@poly.slovakia.sk IČ DPH: SK2021979642	Investor:
Date of issue:	04 / 2017			
Designer:	Dipl. Ing. Jozef Majer	Scale:	1:200	
Drawing:	Air dome 101,00 x 49,00 x 15,00 - double membrane	Phase:	Conceptual design	
	Plan view of foundations	Drawing No:	020	
		Project No:		
This drawing is a property of POLY SLOVAKIA s.r.o., and any reproduction is forbidden according to the law				