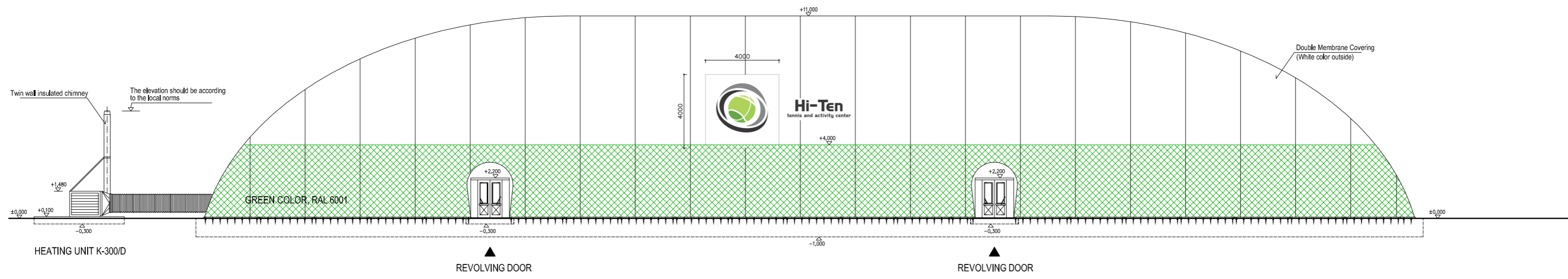


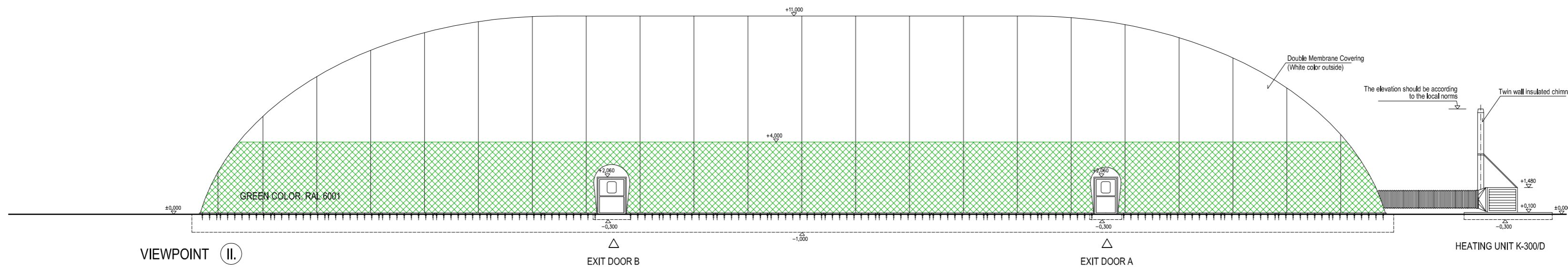
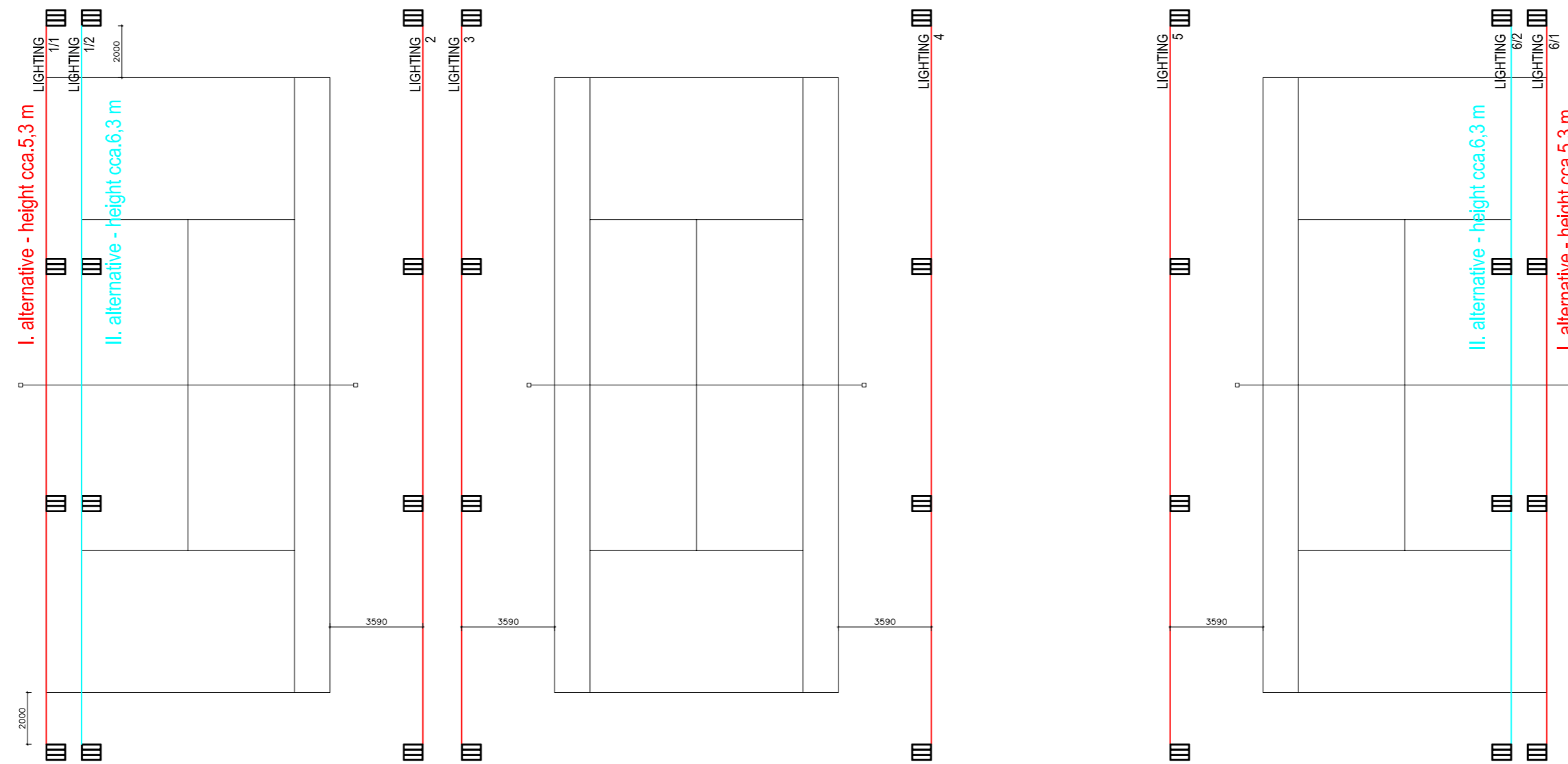
		POLY-SLOVAKIA s.r.o. Raškovská 655/53 97401 Šarvaská Bystrica IČO: 36330366	GBA 0241 903 802 809 IČP: 4811 4811 19 Web: www.poly-slovakia.sk E-mail: info@poly-slovakia.sk IČ DPH: SK21979349	Investor:
Date of issue:	10 / 2017			
Designer:	Dipl. Ing. Jozef Majer			Scale: 1:200
Drawing:	Air dome 65,80 x 39,50 x 11,00 - double membrane Plan view			Phase: Conceptual design Drawing No: 001 Project No:
This drawing is a property of POLY SLOVAKIA s.r.o., and any reproduction is forbidden according to the law				

AIR DOME 65,80 x 39,50 x 11,00

- double membrane

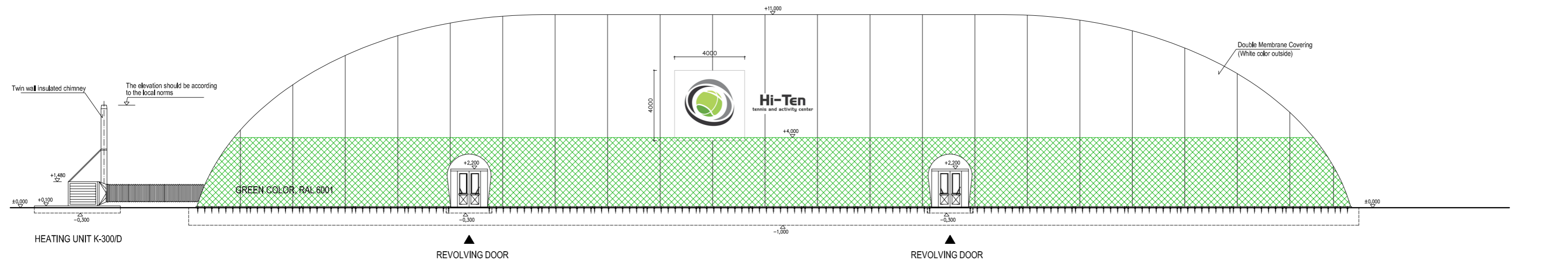


VIEWPOINT I.

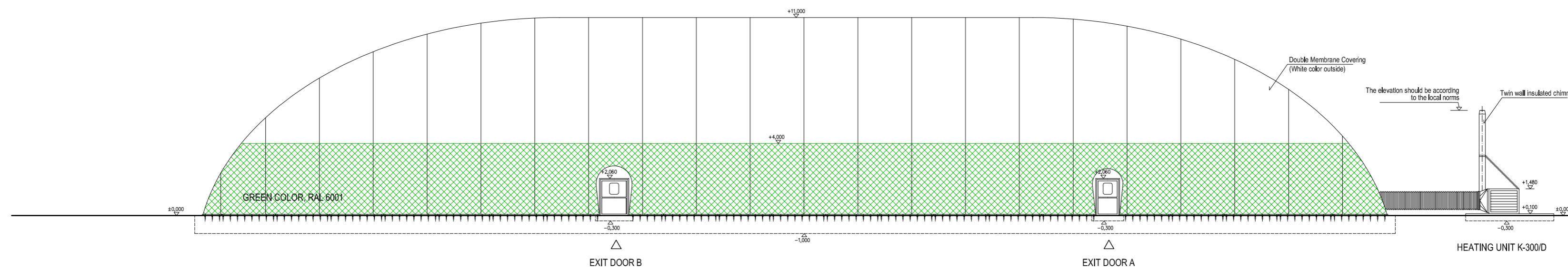


VIEWPOINT II.


		POLY-SLOVAKIA s.r.o. Raškovská 655/53 07401 Šaradka Bystrica IČO: 36330366	OSR: 0420 903 802 009 IAD: 0420 903 48 411 019 Web: www.poly-slovakia.sk E-mail: info@poly-slovakia.sk IČ DPH: SK201979449	Investor:
Date of issue:	10 / 2017	Designer: Dipl. Ing. Jozef Majer		Scale: 1:200
Drawing: Air dome 65,80 x 39,50 x 11,00 - double membrane Front view, Back view - position of lights			Phase: Conceptual design	Drawing No: 002
Project No:			This drawing is a property of POLY SLOVAKIA s.r.o., and any reproduction is forbidden according to the law	



VIEWPOINT I.

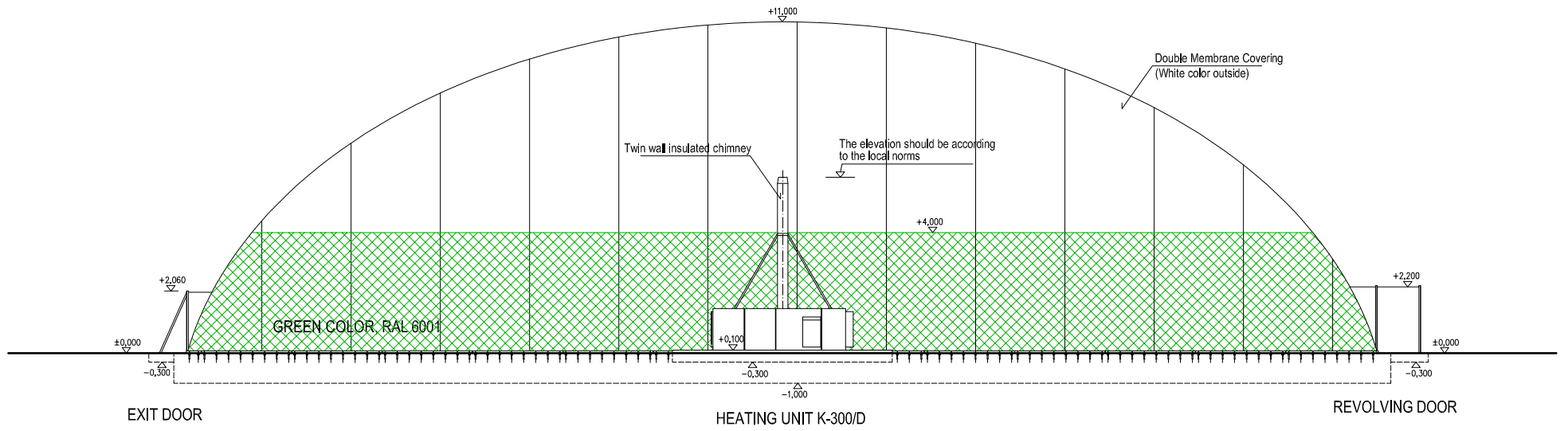


VIEWPOINT II.

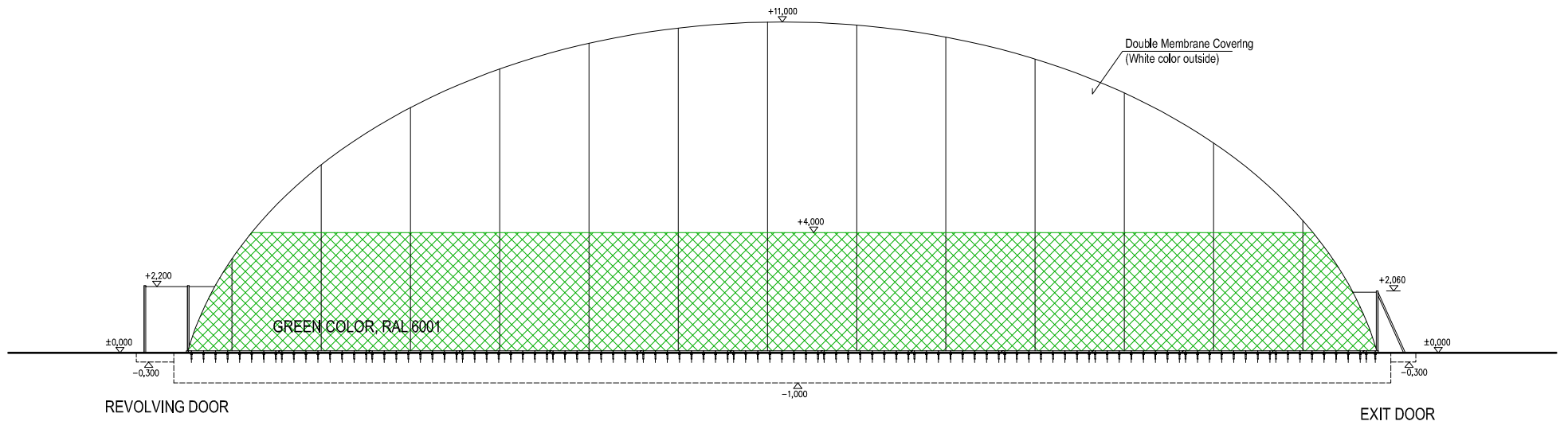
		POLY-SLOVAKIA, s.r.o. Raškovská cesta 655/53 07401 Štrbedž Bystrica IČO: 3636266	OSR: 0420 903 802 809 IAD: Fax: 0922 48 411 99 Web: www.poly-slovakia.sk E-mail: info@poly-slovakia.sk IČ DPH: SK21979449	Investor:
Date of issue:	10 / 2017	Scale: 1:200		
Designer:	Dipl. Ing. Jozef Majer	Phase: Conceptual design		
Drawing:	Air dome 65,80 x 39,50 x 11,00 - double membrane Front view, Back view	Drawing No: 003		
		Project No:		
This drawing is a property of POLY SLOVAKIA, s.r.o., and any reproduction is forbidden according to the law				

AIR DOME 65,80 x 39,50 x 11,00


- double membrane



VIEWPOINT III.

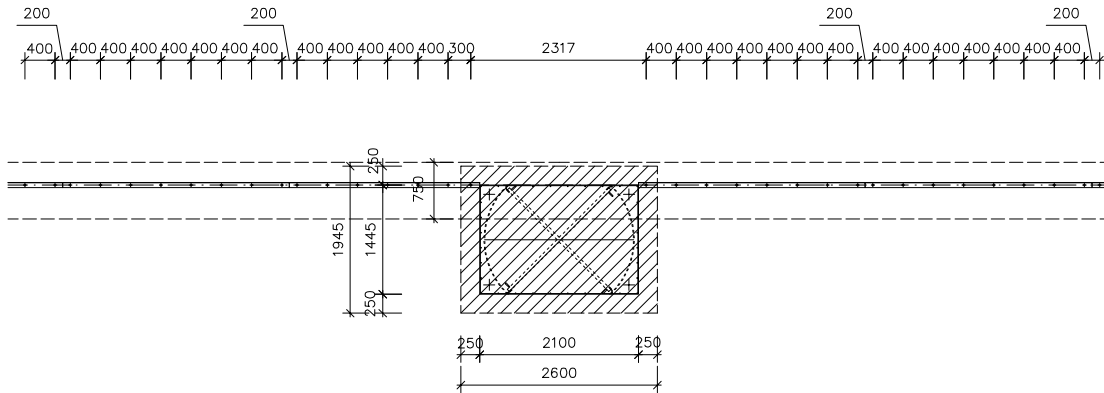


VIEWPOINT IV.

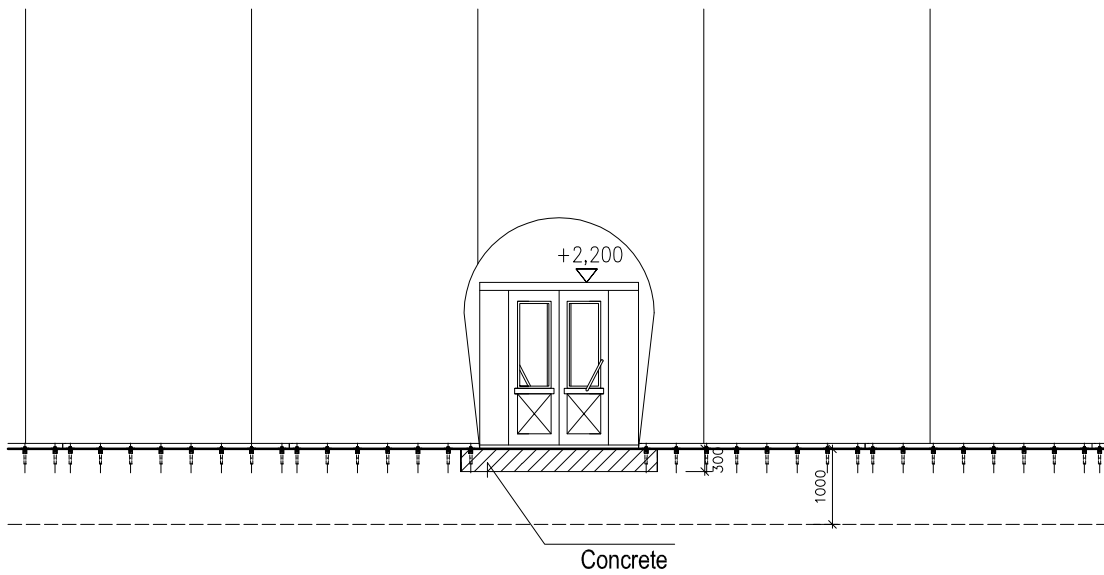
		POLY-SLOVAKIA s.r.o. Rudlovska cesta 6550/53 97401 Banská Bystrica IČO: 36636266	GSM: 00421 903 502 806 Tel./Fax.: 00421 48 413 56 19 Web: www.poly.slovakia.sk E-mail: marek@poly.slovakia.sk IČ DPH: SK202197949	Investor:
Date of issue:	10 / 2017			
Designer:	Dipl. Ing. Jozef Majer	Scale:	1:200	
Drawing:	Air dome 65,80 x 39,50 x 11,00 - double membrane Left view, Right view	Phase:	Conceptual design	
		Drawing No:	004	
		Project No:		
This drawing is a property of POLY SLOVAKIA s.r.o. and any reproduction is forbidden according to the law				

AIR DOME 65,80 x 39,50 x 11,00


- double membrane



PLAN VIEW

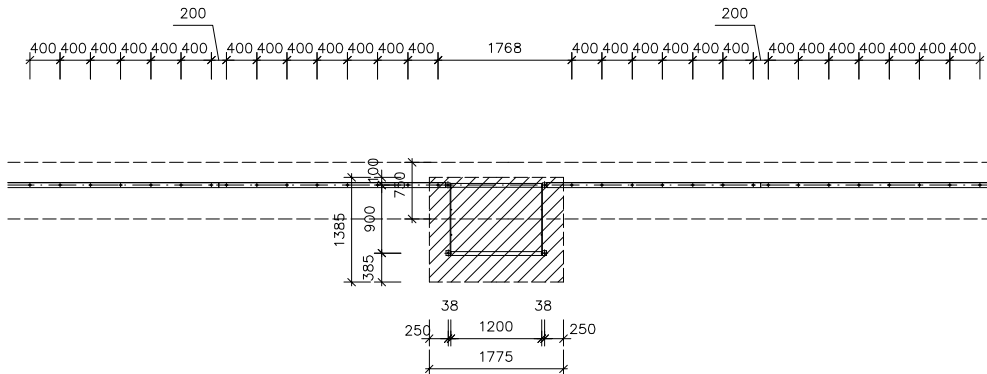


LATERAL VIEW

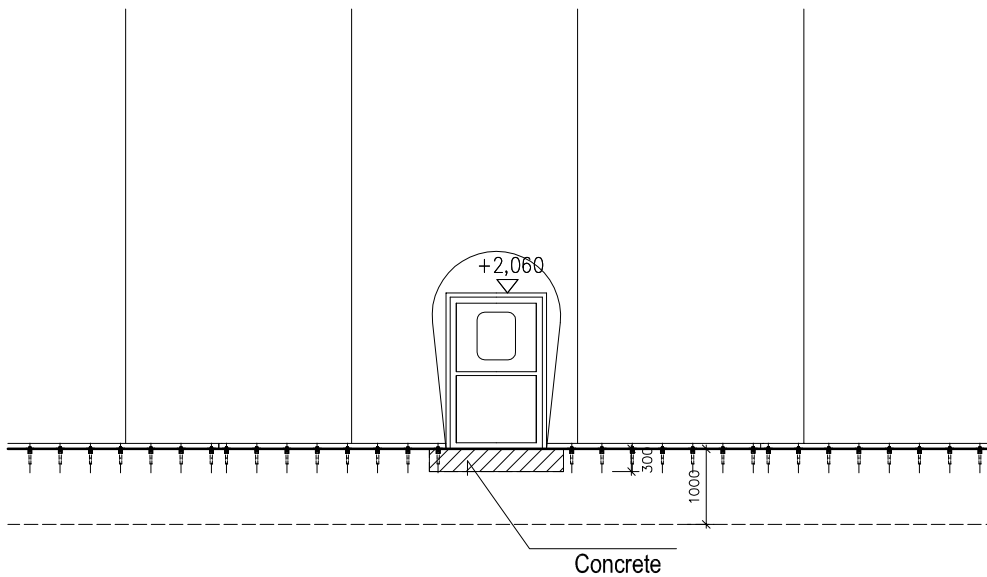
		POLY-SLOVAKIA s.r.o. Rudlovska cesta 6550/53 97401 Banská Bystrica IČO: 36636266	GSM: 00421 903 502 806 Tel./Fax.: 00421 48 413 56 19 Web: www.naf.kovadetal.sk E-mail: marek@naf.kovadetal.sk IČ DPH: SK2021979949	Investor:
Date of issue:	10 / 2017			
Designer:	Dipl. Ing. Jozef Majer	Scale:	1:100	
Drawing:	Air dome 65,80 x 39,50 x 11,00 - double membrane Concrete base for revolving door	Phase:	Conceptual design	
		Drawing No:	005	
		Project No:		
This drawing is a property of POLY SLOVAKIA s.r.o. and any reproduction is forbidden according to the law				

AIR DOME 65,80 x 39,50 x 11,00

- double membrane




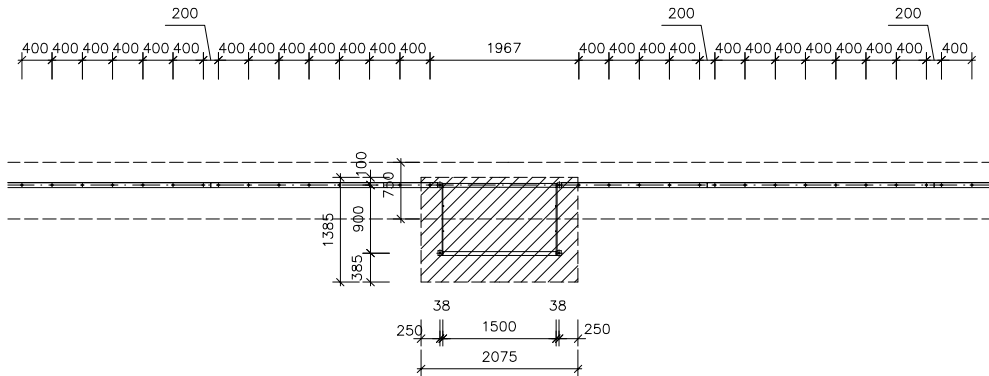
PLAN VIEW



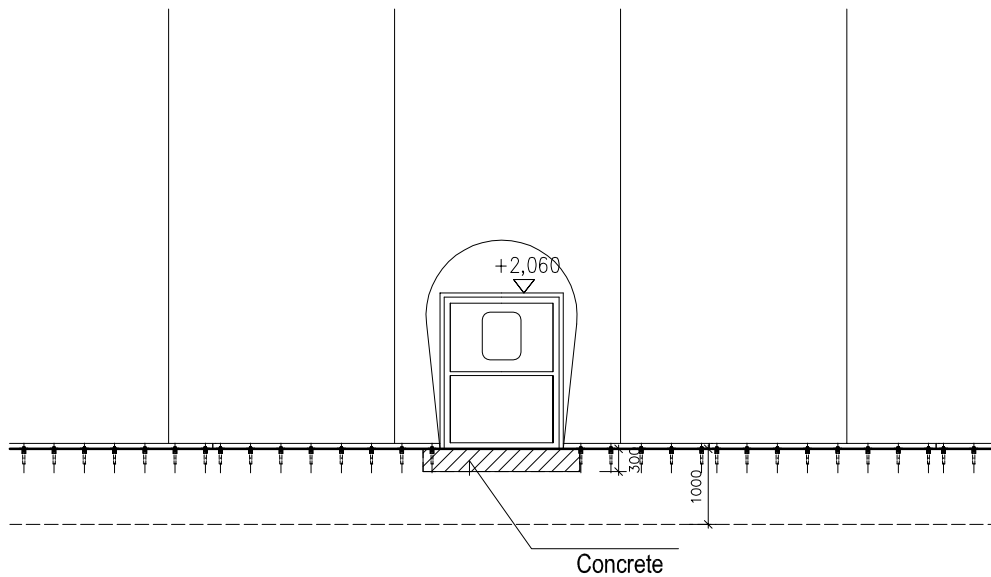
LATERAL VIEW

EXIT DOOR A

		POLY-SLOVAKIA s.r.o. Rudlovská cesta 6350/53 97401 Banská Bystrica IČO: 36636266	GSK: 00421 903 502 806 Tel./Fax.: 00421 48 413 56 19 Web: www.naf.kovadefaly.sk E-mail: marek@naf.kovadefaly.sk IČ DPH: SK2021979949	Investor:
Date of issue:	10 / 2017			
Designer:	Dipl. Ing. Jozef Majer	Scale:	1:100	
Drawing:	Air dome 65,80 x 39,50 x 11,00 - double membrane Concrete base for exit door A	Phase:	Conceptual design	
		Drawing No:	006	
		Project No:		
This drawing is a property of POLY SLOVAKIA s.r.o. and any reproduction is forbidden according to the law				




PLAN VIEW



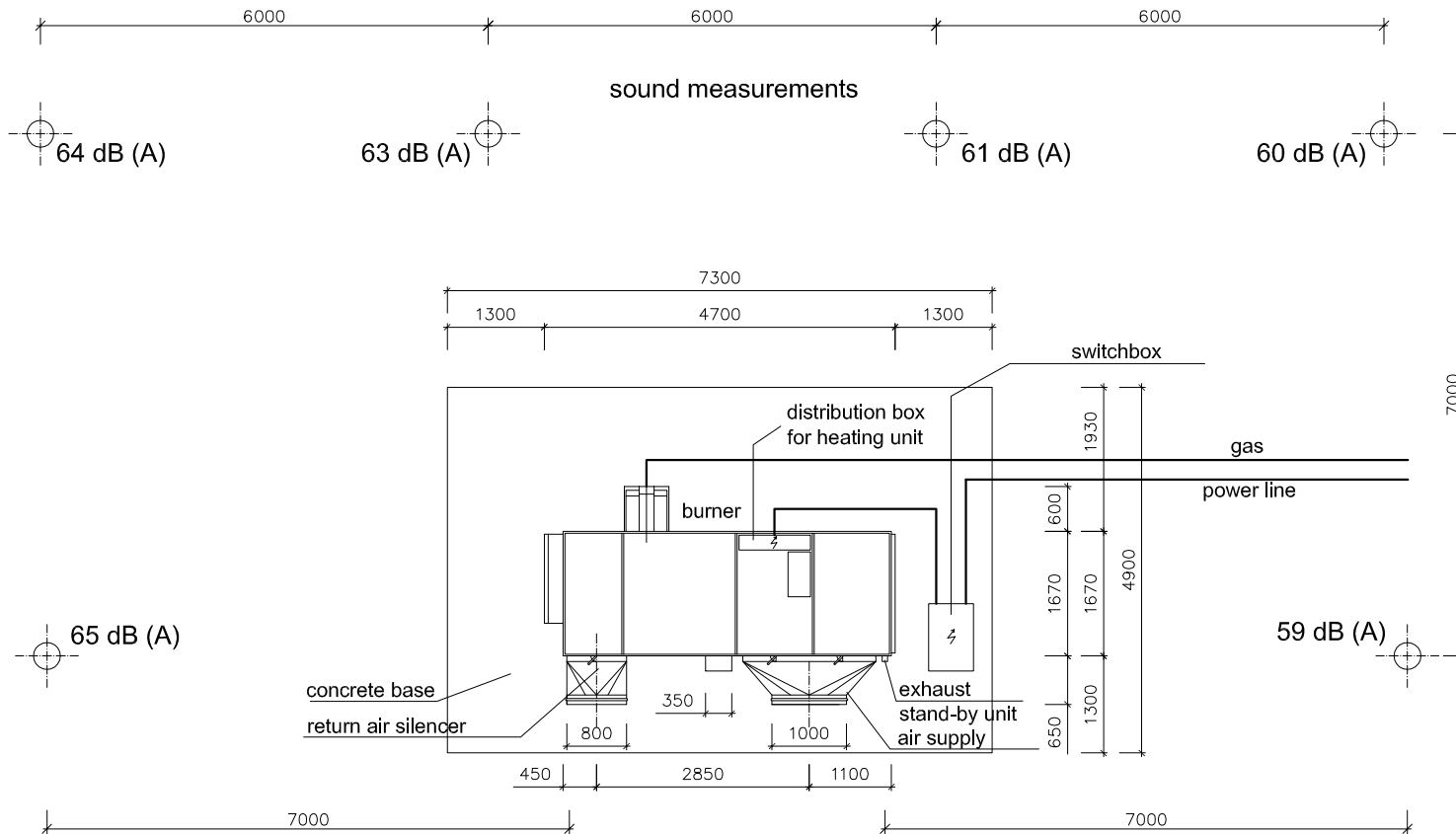
LATERAL VIEW

EXIT DOOR B


	POLY-SLOVAKIA s.r.o. Rudlovská cesta 6550/53 97401 Banská Bystrica IČO: 36636266	GSN: 00421 003 502 806 Tel./Fax.: 00421 48 413 56 19 Web: www.naf.kovadefaly.sk E-mail: marek@naf.kovadefaly.sk IČ DPH: SK2021979949	Investor:
			Date of issue: 10 / 2017
Designer: Dipl. Ing. Jozef Majer	Scale: 1:100		
Drawing: Air dome 65,80 x 39,50 x 11,00 - double membrane Concrete base for exit door B	Phase: Conceptual design		
	Drawing No: 007		
	Project No:		
This drawing is a property of POLY SLOVAKIA s.r.o. and any reproduction is forbidden according to the law			

AIR DOME 65,80 x 39,50 x 11,00

- double membrane

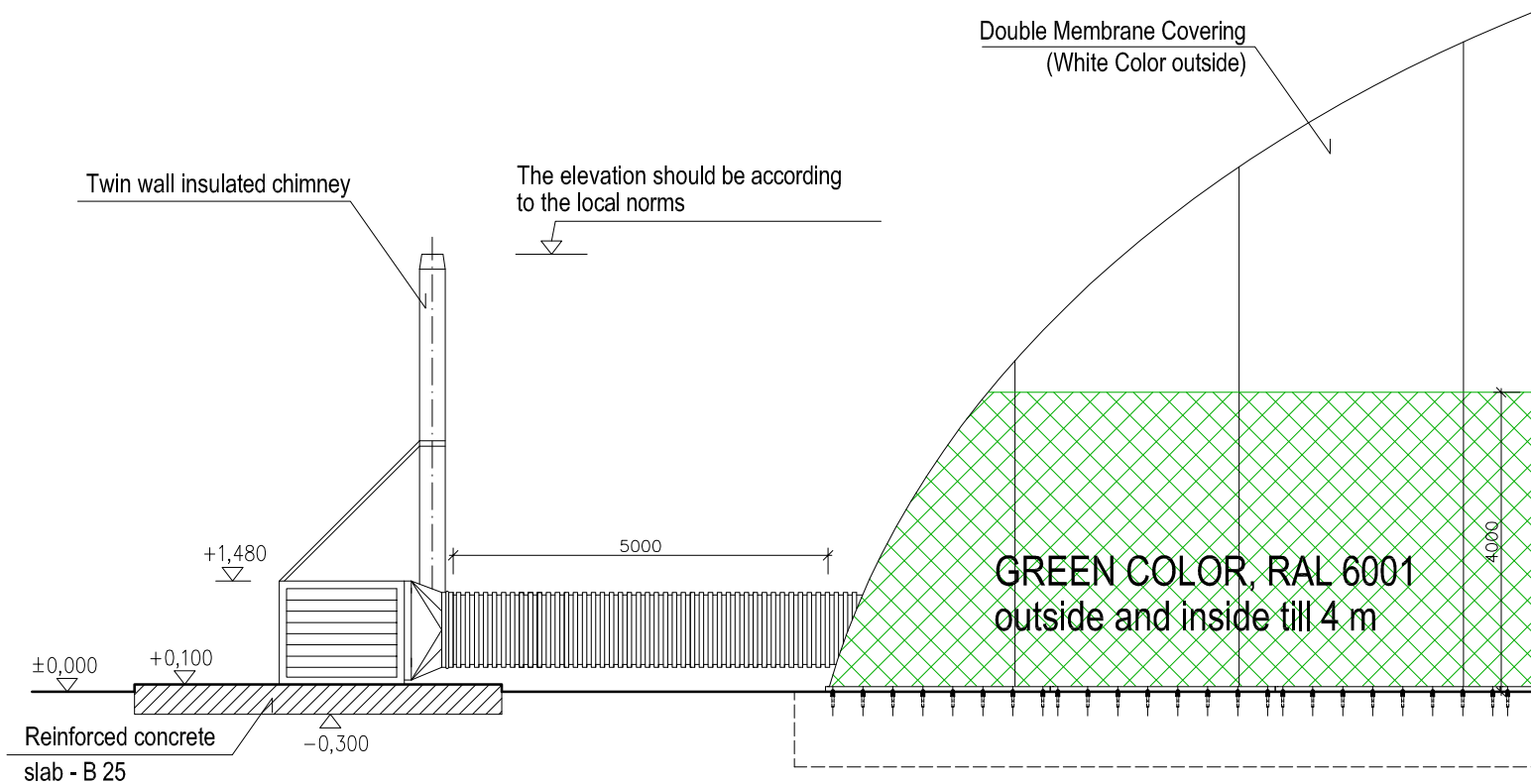


HEATING UNIT K-300/D


		POLY-SLOVAKIA s.r.o. Rudlovská cesta 6550/53 97401 Banská Bystrica IČO: 36536266	GSM: 00421 903 502 806 Tel./Fax: 00421 48 413 56 19 Web: www.nafukovaciehaly.sk E-mail: marek@nafukovaciehaly.sk IČ DPH: SK2021979949	Investor:
Date of issue:	10 / 2017			
Designer:	Dipl. Ing. Jozef Majer	Scale:	1:100	
Drawing:	Air dome 65,80 x 39,50 x 11,00 - double membrane Detail of heating unit K 300/D	Phase:	Conceptual design	
		Drawing No:	008	
		Project No:		
<small>This drawing is a property of POLY SLOVAKIA s.r.o. and any reproduction is forbidden according to the law</small>				

AIR DOME 65,80 x 39,50 x 11,00

- double membrane

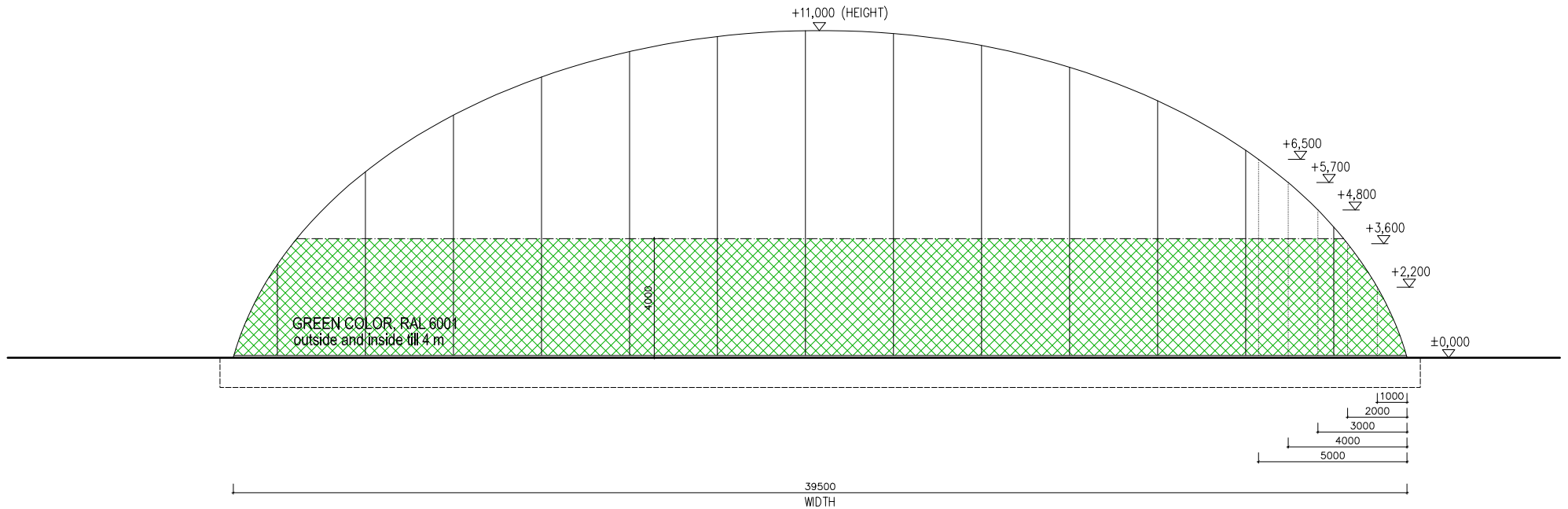


HEATING UNIT K-300/D


		POLY-SLOVAKIA s.r.o. Rudlovska cesta 6550/53 97401 Banská Bystrica IČO: 36636266	GSM: 00421 903 502 806 Tel./Fax: 00421 48 413 56 19 Web: www.nafukovaciehaly.sk E-mail: marek@nafukovaciehaly.sk IČ DPH: SK2021979949	Investor:
Date of issue:	10 / 2017			
Designer:	Dipl. Ing. Jozef Majer	Scale:	1:100	
Drawing:	Air dome 65,80 x 39,50 x 11,00 - double membrane Detail of heating unit K 300/D	Phase:	Conceptual design	
		Drawing No:	009	
		Project No:		
<small>This drawing is a property of POLY SLOVAKIA s.r.o. and any reproduction is forbidden according to the law</small>				

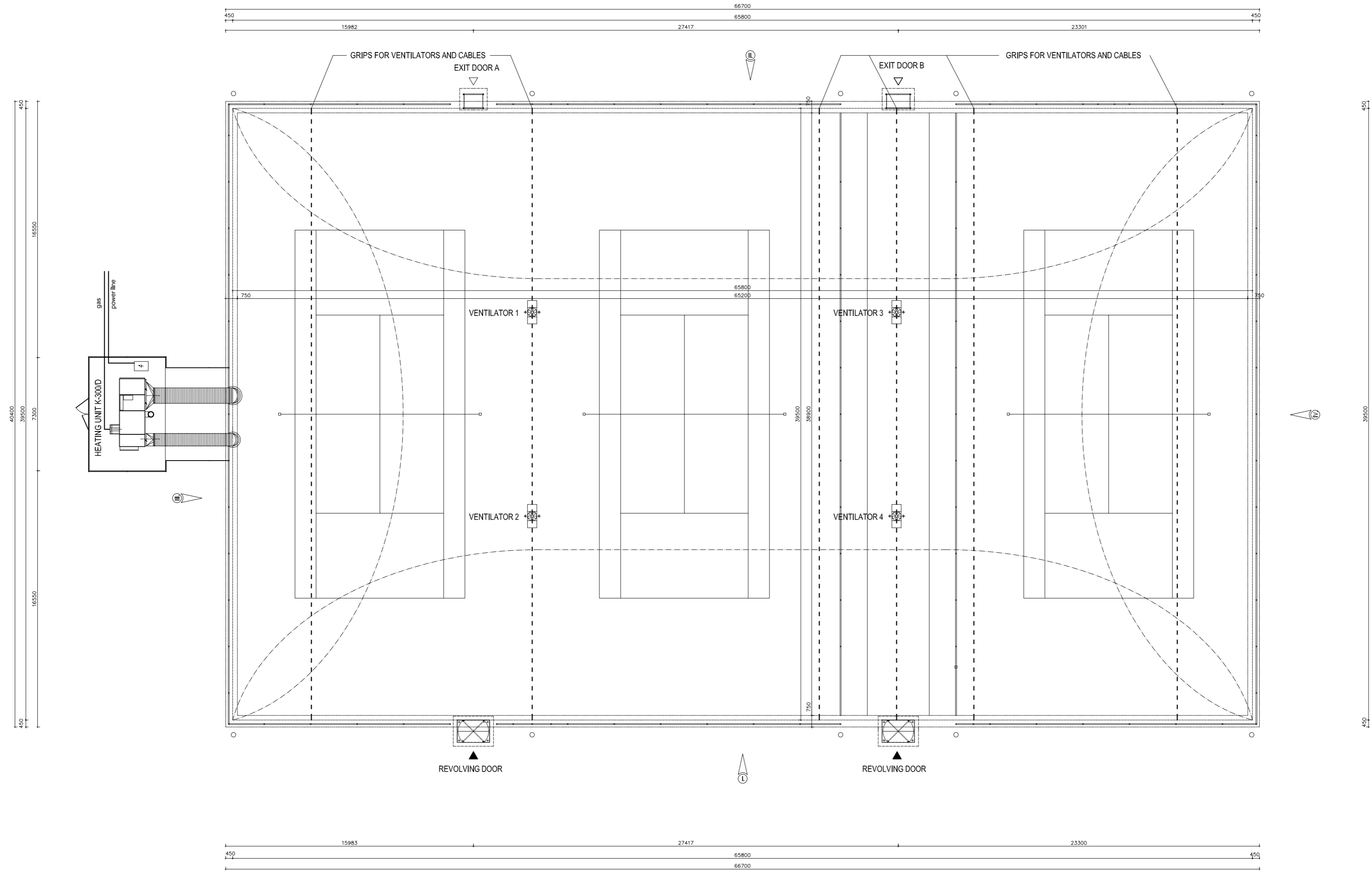
AIR DOME 65,80 x 39,50 x 11,00

- double membrane



RADIUS OF AIR DOME

		POLY-SLOVAKIA s.r.o. Rudlovska cesta 6550/53 97401 Banska Bystrica IČO: 36636286		GSM: 00421 903 502 806 Tel./Fax: 00421 48 413 56 19 Web: www.nafukovaciehaly.sk E-mail: marek@nafukovaciehaly.sk IČ DPH: SK2021979949		Investor:	
		Date of issue: 10 / 2017					
Designer: Dipl. Ing. Jozef Majer		Scale: 1:200					
Drawing: Air dome 65,80 x 39,50 x 11,00 - double membrane Radius of Air dome		Phase: Conceptual design					
		Drawing No: 010					
		Project No:					
This drawing is a property of POLY SLOVAKIA s.r.o. and any reproduction is forbidden according to the law							

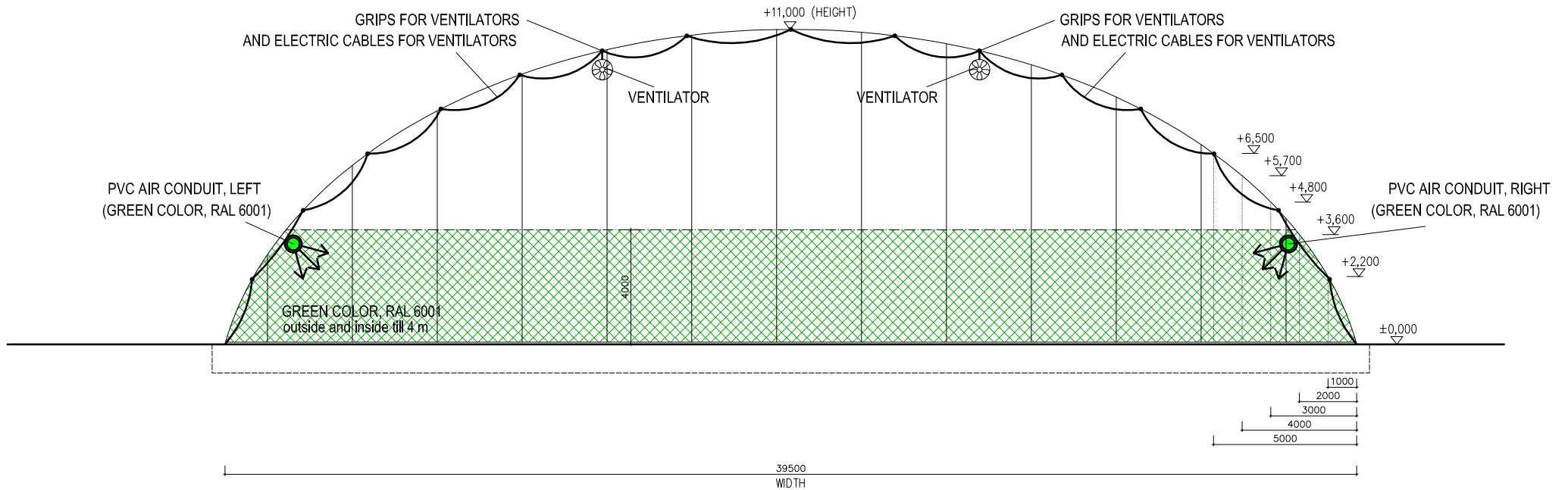


**POSITION OF GRIPS FOR VENTILATORS
AND CABLES**


		POLY-SLOVAKIA, s.r.o. Račňovník cesty 6550/53 07401 Štrbské Pleso IČO: 3630266	IČO: 0421 903 802 009 IČO: 0421 903 802 010 Web: www.poly-slovakia.sk Email: info@poly-slovakia.sk IČ DPH: SK02197946	Investor:	
Date of issue:	10 / 2017	Designer:	Dipl. Ing. Jozef Majer	Scale:	1:200
Drawing:	Air dome 65,80 x 39,50 x 11,00 - double membrane Position of grips for ventilators and cables	Phase:	Conceptual design	Drawing No:	011
		Project No:			
<small>This drawing is a property of POLY SLOVAKIA, s.r.o., and any reproduction is forbidden according to the law</small>					

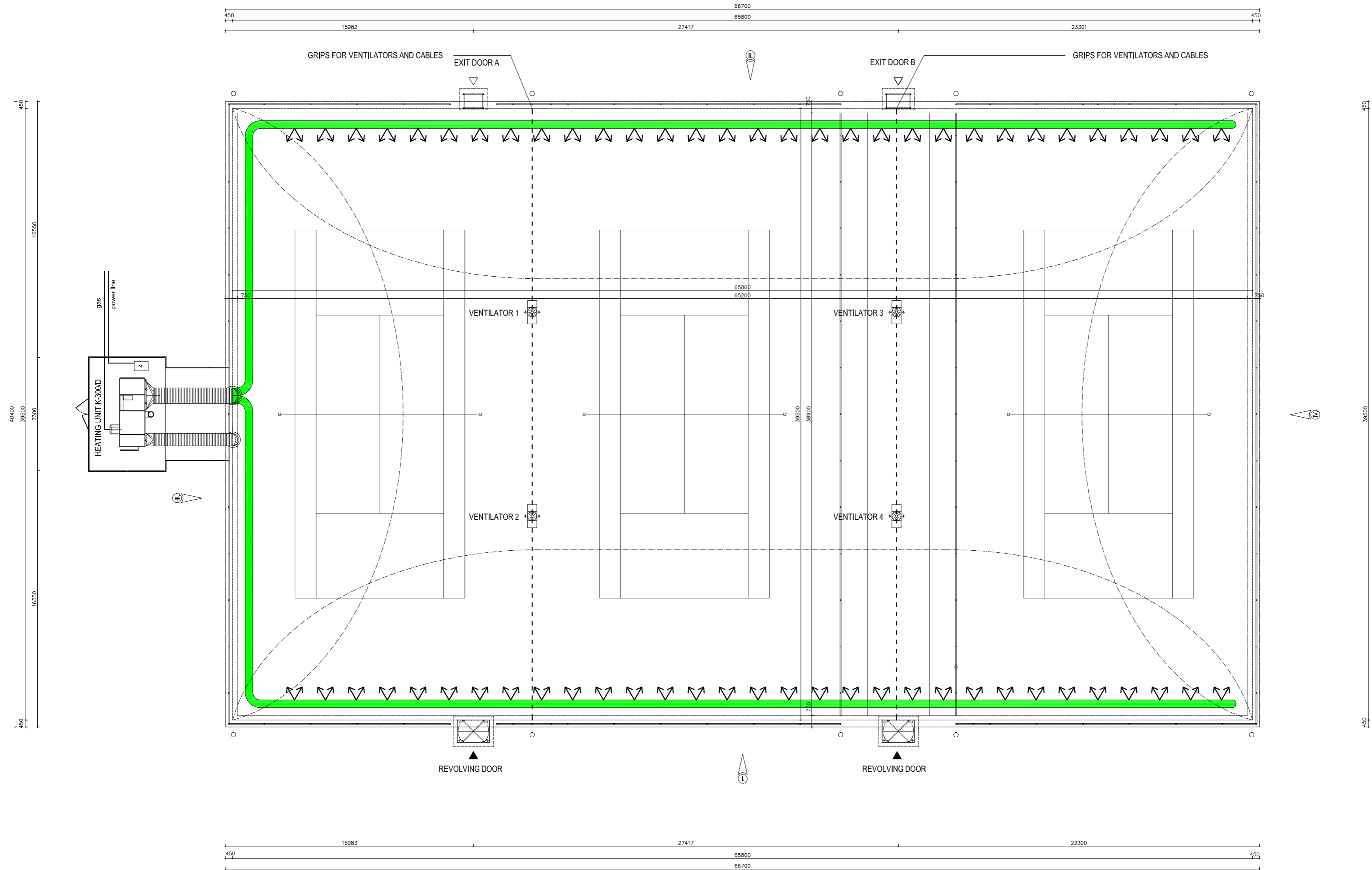
AIR DOME 65,80 x 39,50 x 11,00

- double membrane



AIR CONDUIT INSIDE THE AIR DOME
ON THE INSIDE MEMBRANE

		POLY-SLOVAKIA s.r.o. Rudlovska cesta 6550/53 97401 Banska Bystrica IČO: 36636286	GSM: 00421 903 502 806 Tel./Fax: 00421 48 413 86 19 Web: www.nafukovaciehaly.sk E-mail: marek@nafukovaciehaly.sk IČ DPH: SK2021979949	Investor:
Date of issue:	10 / 2017			
Designer:	Dipl. Ing. Jozef Majer	Scale:	1:200	
Drawing:	Air dome 65,80 x 39,50 x 11,00 - double membrane Air conduit in the Air dome	Phase:	Conceptual design	
		Drawing No:	012	
		Project No:		
This drawing is a property of POLY SLOVAKIA s.r.o. and any reproduction is forbidden according to the law				

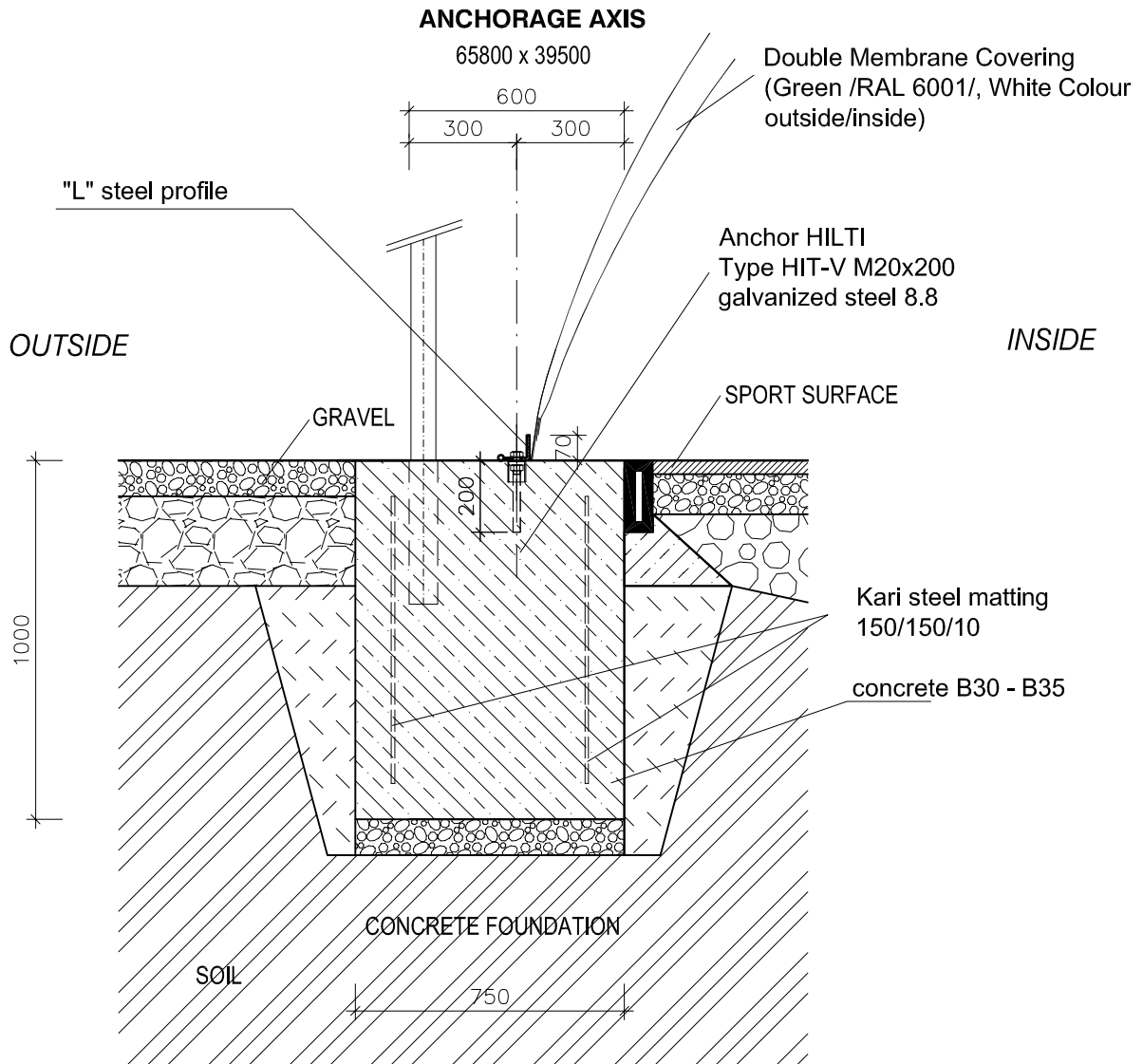


DIRECTION OF AIR CONDUIT MADE OF PVC
INSIDE THE AIR DOME IN GREEN COLOR
RAL 6001


		POLY-SLOVAKIA, s.r.o. Račňovník cesty 6550533 97401 Štrbské Pleso IČO: 3630266	OSR: 02421 903 802 809 IAT: 02421 903 48 411 919 Web: www.poly-slovakia.sk Email: info@poly-slovakia.sk IČ DPH: SK021979949	Investor:	
Date of issue:	10 / 2017	Designer:	Dipl. Ing. Jozef Majer	Scale:	1:200
Drawing:	Air dome 65,80 x 39,50 x 11,00 - double membrane Direction of air conduit	Phase:	Conceptual design	Drawing No:	013
		Project No:			
This drawing is a property of POLY SLOVAKIA, s.r.o., and any reproduction is forbidden according to the law					

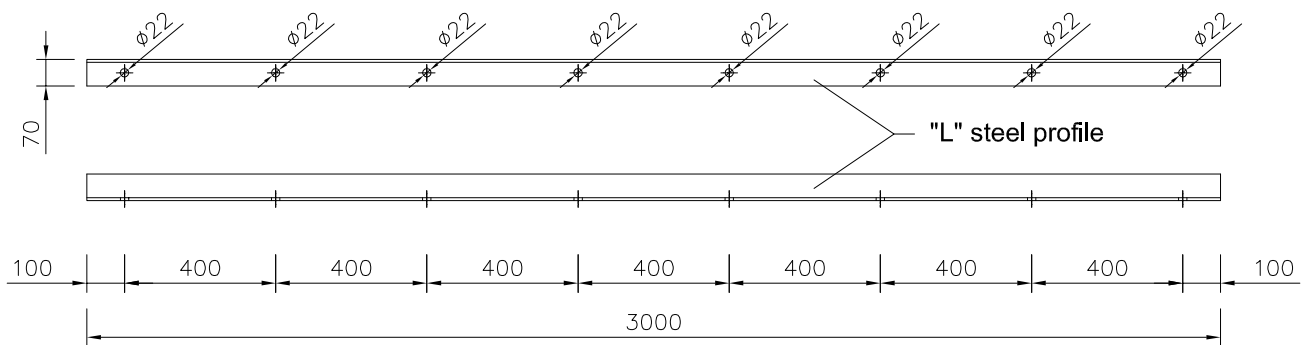
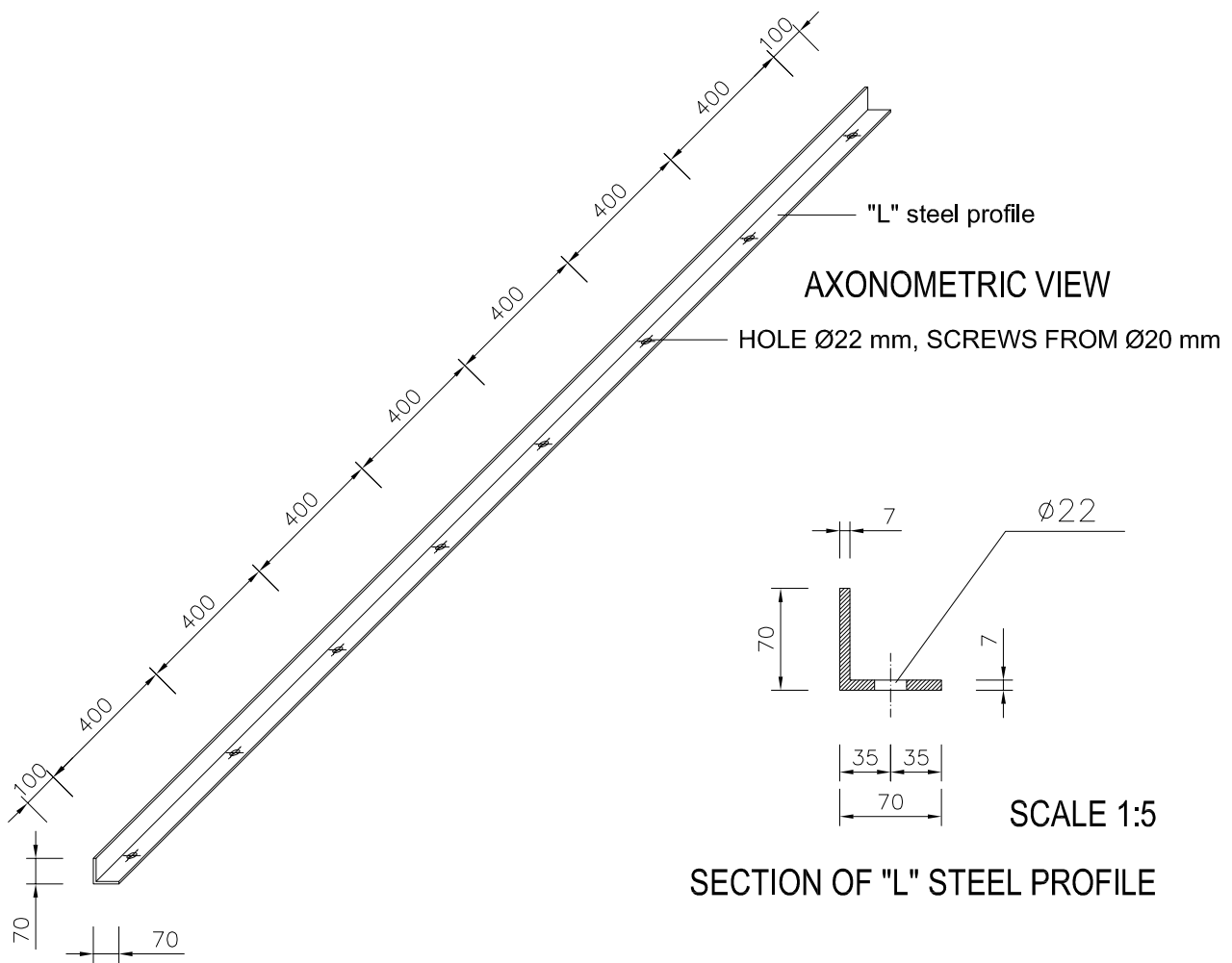
AIR DOME 65,80 x 39,50 x 11,00

- double membrane




DETAIL OF CHEMICAL ANCHOR FIXED IN CONCRETE FOUNDATION
SCALE 1:20

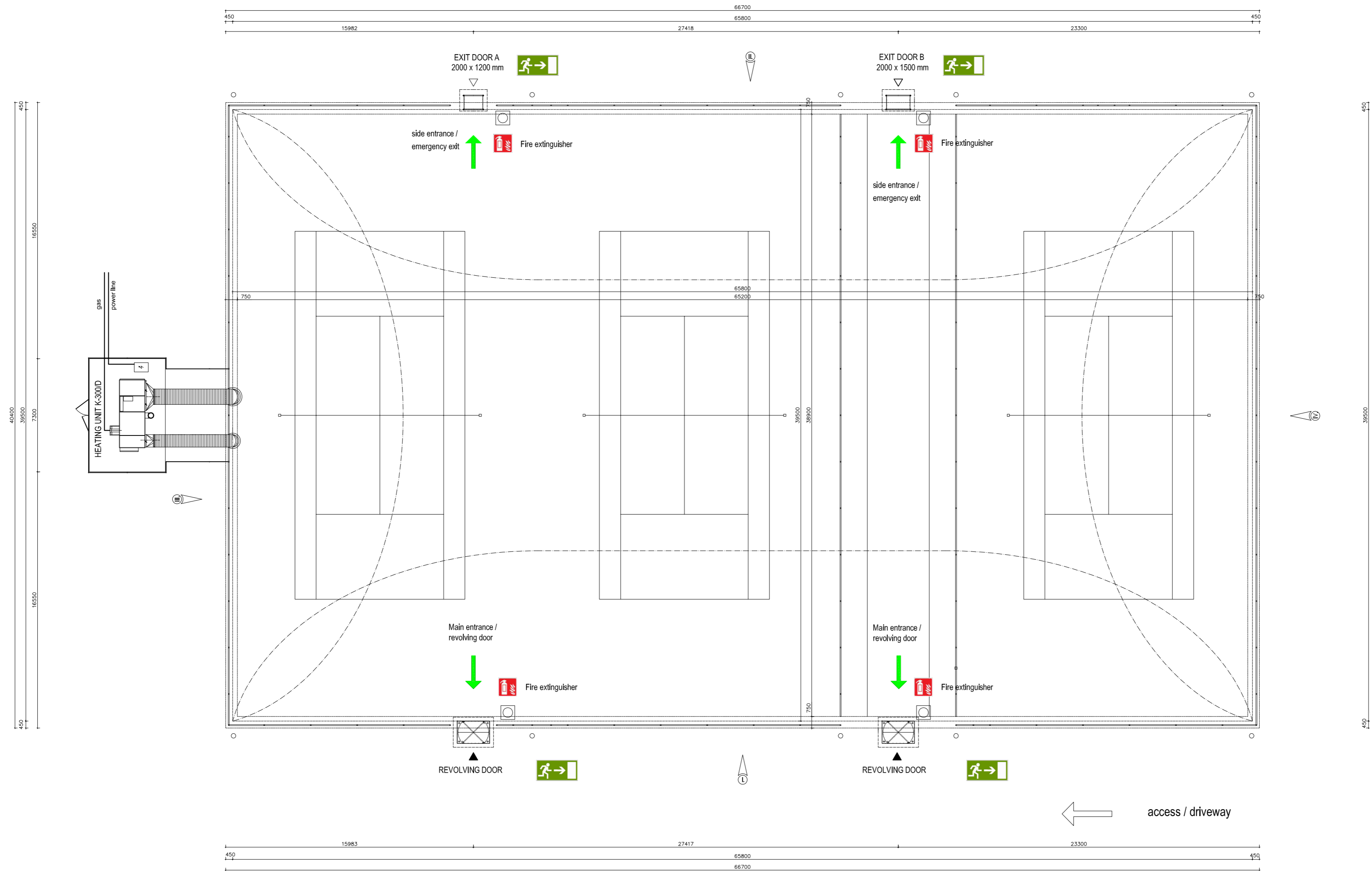
		POLY-SLOVAKIA s.r.o. Rudlovska cesta 6550/53 97401 Banska Bystrica IČO: 36636266	GSM: 00421 933 502 806 Tel./Fax.: 00421 48 413 56 19 Web: www.nafukovadehaly.sk E-mail: marek@nafukovadehaly.sk IČ DPH: SK202197948	Investor:
Date of issue:	10 / 2017			
Designer:	Dipl. Ing. Jozef Majer	Scale:	1:20	
Drawing:	Air dome 65,80 x 39,50 x 11,00 - double membrane Detail of chemical anchor fixed in concrete foundation	Phase:	Conceptual design	
		Drawing No:	014	
		Project No:		
This drawing is a property of POLY SLOVAKIA s.r.o. and any reproduction is forbidden according to the law				



DETAIL OF "L" STEEL PROFILE FOR MEMBRANE ANCHORAGE

SCALE 1:20

	POLY-SLOVAKIA s.r.o. Rudlovska cesta 6550/53 97401 Banská Bystrica IČO: 36636266	GSM: 00421 903 502 806 Tel./Fax.: 00421 48 413 56 19 Web: www.nafukovadehaly.sk E-mail: marek@nafukovadehaly.sk IČ DPH: SK2021979949	Investor:
	Date of issue: 10 / 2017		
Designer: Dipl. Ing. Jozef Majer		Scale: 1:20	
Drawing: Air dome 65,80 x 39,50 x 11,00 - double membrane Detail of "L" steel profile for membrane anchorage		Phase: Conceptual design	
		Drawing No: 015	
		Project No:	
This drawing is a property of POLY SLOVAKIA s.r.o. and any reproduction is forbidden according to the law			



FIRE PROTECTION CONCEPT

		POLY-SLOVAKIA, s.r.o. Račňovská cesta 6550/23 97401 Štrbské Pleso IČO: 3630266	GBA 0420 903 802 009 IAT-FA: 0420 48 411 019 Web: www.poly-slovakia.sk E-mail: info@poly-slovakia.sk IČ DPH: SK20197946	Investor:	
Date of issue:	10 / 2017	Designer:	Dipl. Ing. Jozef Majer	Scale:	1:200
Drawing:	Air dome 65,80 x 39,50 x 11,00 - double membrane Fire protection concept, Plan view	Phase:	Conceptual design	Drawing No:	016
		Project No:			